

Custom Single Flute Gundrills

72 Hour Shipment



Application specific designs.
72 hour: Design, Build, Ship.
Technical support available.

Call **877-635-3488** for availability

Custom Single Flute Gundrills

72 Hour Shipment



Diameter (inches/mm)	Overall (inches/mm)	1 Drill	2-3 Drills	4-5 Drills	6-11 Drills	12-25 Drills	Shank Size (inches/mm)	Shank Type
.0920-.1070	5.00-10.00	\$177	\$149	\$139	\$135	\$121	1/2 x 1-1/2	B
2.336-2.717	127.0-254.0						12.7 x 38.1	
.0920-.1070	10.01-16.00	\$186	\$161	\$156	\$145	\$127	1/2 x 1-1/2	B
2.336-2.717	254-406.4						12.7 x 38.1	
.1071-.1149	5.00-10.00	\$161	\$140	\$125	\$121	\$114	1/2 x 1-1/2	B
2.720-.9180	127.0-254.0						12.7 x 38.1	
.1071-.1149	10.01-16.00	\$168	\$144	\$132	\$130	\$117	1/2 x 1-1/2	B
2.720-.9180	254-406.4						12.7 x 38.1	
.1071-.1149	16.01-22.00	\$176	\$150	\$139	\$133	\$121	1/2 x 1-1/2	B
2.720-.9180	406.4-558.8						12.7 x 38.1	
.1150-.1229	5.00-10.00	\$160	\$139	\$126	\$122	\$109	1/2 x 1-1/2	B
2.921-3.121	127-254						12.7 x 38.1	
.1150-.1229	10.01-16.00	\$168	\$144	\$130	\$128	\$116	1/2 x 1-1/2	B
2.921-3.121	254-406.4						12.7 x 38.1	
.1150-.1229	16.01-22.00	\$175	\$150	\$135	\$131	\$119	1/2 x 1-1/2	B
2.921-3.121	406.4-558.8						12.7 x 38.1	
.1230-.1359	6.00-12.00	\$121	\$104	\$98	\$94	\$85	3/4 x 2-3/4	A
3.124-3.451	152.4-304.8						19.05 x 70	
.1230-.1359	12.01-22.00	\$130	\$113	\$103	\$99	\$92	3/4 x 2-3/4	A
3.124-3.451	304.8-558.8						19.05 x 70	
.1230-.1359	22.01-28.00	\$138	\$119	\$116	\$114	\$97	3/4 x 2-3/4	A
3.124-3.451	558.8-711.2						19.05 x 70	
.1230-.1359	28.01-36.00	\$133	\$127	\$115	\$106	\$103	3/4 x 2-3/4	A
3.124-3.541	711.2-914.4						19.05 x 70	
.1360-.1529	6.00-12.00	\$122	\$108	\$96	\$94	\$87	3/4 x 2-3/4	A
3.454-3.883	152.4-304.8						19.05 x 70	
.1360-.1529	12.01-22.00	\$132	\$113	\$104	\$103	\$93	3/4 x 2-3/4	A
3.454-3.883	304.8-558.8						19.05 x 70	
.1360-.1529	22.01-28.00	\$141	\$120	\$111	\$109	\$97	3/4 x 2-3/4	A
3.454-3.883	558.8-711.2						19.05 x 70	
.1530-.1679	6.00-12.00	\$122	\$103	\$96	\$93	\$85	3/4 x 2-3/4	A
3.886-4.264	152.4-304.8						19.05 x 70	
.1530-.1679	12.01-22.00	\$132	\$111	\$104	\$102	\$93	3/4 x 2-3/4	A
3.886-4.264	304.8-558.8						19.05 x 70	
.1530-.1679	22.01-36.00	\$150	\$126	\$118	\$115	\$103	3/4 x 2-3/4	A
3.886-4.264	558.8-914.4						19.05 x 70	
.1530-.1679	36.01-48.00	\$165	\$137	\$126	\$125	\$113	3/4 x 2-3/4	A
3.886-4.264	914.4-1219.2						19.05 x 70	
.1680-.1799	6.00-12.00	\$123	\$104	\$97	\$94	\$89	3/4 x 2-3/4	A
4.267-4.569	152.4-304.8						19.05 x 70	
.1680-.1799	12.01-22.00	\$135	\$115	\$104	\$103	\$93	3/4 x 2-3/4	A
4.267-4.569	304.8-558.8						19.05 x 70	
.1680-.1799	22.01-36.00	\$150	\$126	\$118	\$115	\$103	3/4 x 2-3/4	A
4.267-4.569	558.8-914.4						19.05 x 70	
.1680-.1799	36.01-48.00	\$165	\$137	\$129	\$120	\$115	3/4 x 2-3/4	A
4.267-4.569	914.4-1219.2						19.05 x 70	
.1800-.1979	6.00-12.00	\$125	\$104	\$98	\$93	\$85	3/4 x 2-3/4	A
4.572-5.026	152.4-304.8						19.05 x 70	
.1800-.1979	12.01-22.00	\$135	\$115	\$106	\$104	\$93	3/4 x 2-3/4	A
4.572-5.026	304.8-558.5						19.05 x 70	
.1800-.1979	22.01-36.00	\$150	\$126	\$118	\$115	\$104	3/4 x 2-3/4	A
4.572-5.026	558.8-914.4						19.05 x 70	
.1800-.1979	36.01-48.00	\$165	\$138	\$129	\$125	\$114	3/4 x 2-3/4	A
4.572-5.026	914.4-1219.2						19.05 x 70	
.1980-.2129	6.00-12.00	\$128	\$107	\$99	\$97	\$89	3/4 x 2-3/4	A
5.029-5.407	152.4-304.8						19.05 x 70	
.1980-.2129	12.01-22.00	\$135	\$115	\$107	\$103	\$97	3/4 x 2-3/4	A
5.029-5.407	304.8-558.8						19.05 x 70	
.1980-.2129	22.01-36.00	\$154	\$126	\$118	\$115	\$104	3/4 x 2-3/4	A
5.029-5.407	558.8-914.4						19.05 x 70	
.1980-.2129	36.01-48.00	\$166	\$139	\$128	\$125	\$113	3/4 x 2-3/4	A
5.029-5.407	914.4-1219.2						19.05 x 70	
.2130-.2309	6.00-12.00	\$123	\$107	\$98	\$95	\$89	3/4 x 2-3/4	A
5.410-5.864	152.4-304.8						19.05 x 70	

Diameter (inches/mm)	Overall (inches/mm)	1 Drill	2-3 Drills	4-5 Drills	6-11 Drills	12-25 Drills	Shank Size (inches/mm)	Shank Type
.2130-.2309	12.01-22.00	\$134	\$115	\$107	\$104	\$96	3/4 x 2-3/4	A
5.410-5.864	304.8-558.8						19.05 x 70	
.2130-.2309	22.01-36.00	\$151	\$126	\$122	\$115	\$104	3/4 x 2-3/4	A
5.410-5.864	558.8-914.4						19.05 x 70	
.2130-.2309	36.01-48.00	\$164	\$140	\$126	\$122	\$110	3/4 x 2-3/4	A
5.410-5.864	914.4-1219.2						19.05 x 70	
.2130-.2479	6.00-12.00	\$128	\$107	\$99	\$96	\$87	3/4 x 2-3/4	A
5.867-6.296	152.4-304.8						19.05 x 70	
.2130-.2479	12.01-22.00	\$135	\$115	\$107	\$104	\$93	3/4 x 2-3/4	A
5.867-6.296	304.8-558.8						19.05 x 70	
.2130-.2479	22.01-36.00	\$150	\$126	\$115	\$113	\$104	3/4 x 2-3/4	A
5.867-6.296	558.8-914.4						19.05 x 70	
.2310-.2479	36.01-48.00	\$162	\$140	\$126	\$123	\$110	3/4 x 2-3/4	A
5.867-6.296	914.4-1219.2						19.05 x 70	
.2310-.2479	48.01-64.00	\$172	\$150	\$136	\$134	\$121	3/4 x 2-3/4	A
5.867-6.296	1219.2-1625.6						19.05 x 70	
.2480-.2609	64.01-72.00	\$176	\$156	\$141	\$139	\$126	3/4 x 2-3/4	A
6.299-6.626	1625.9-1828.8						19.05 x 70	
.2480-.2609	6.00-12.00	\$128	\$109	\$101	\$98	\$90	3/4 x 2-3/4	A
6.299-6.626	152.4-304.8						19.05 x 70	
.2480-.2609	12.01-22.00	\$141	\$118	\$109	\$106	\$95	3/4 x 2-3/4	A
6.299-6.626	304.8-558.8						19.05 x 70	
.2480-.2609	22.01-36.00	\$153	\$126	\$119	\$115	\$104	3/4 x 2-3/4	A
6.299-6.626	558.8-914.4						19.05 x 70	
.2480-.2609	36.01-48.00	\$165	\$141	\$129	\$123	\$114	3/4 x 2-3/4	A
6.299-6.626	914.4-1371.6						19.05 x 70	
.2480-.2609	48.01-64.00	\$170	\$146	\$134	\$129	\$139	3/4 x 2-3/4	A
6.299-6.626	1219.2-1625.6						19.05 x 70	
.2480-.2609	64.01-72.00	\$181	\$154	\$142	\$138	\$128	3/4 x 2-3/4	A
6.299-6.626	1625.9-1828.8						19.05 x 70	
.2610-.2779	6.00-12.00	\$129	\$108	\$99	\$97	\$90	3/4 x 2-3/4	A
6.629-7.058	152.4-304.8						19.05 x 70	
.2610-.2779	12.01-22.00	\$140	\$119	\$109	\$104	\$95	3/4 x 2-3/4	A
6.629-7.058	304.8-558.8						19.05 x 70	
.2610-.2779	22.01-36.00	\$154	\$128	\$119	\$115	\$104	3/4 x 2-3/4	A
6.629-7.058	558.8-914.4						19.05 x 70	
.2610-.2779	36.01-54.00	\$170	\$144	\$132	\$129	\$117	3/4 x 2-3/4	A
6.629-7.058	914.7-1371.6						19.05 x 70	
.2780-.2879	6.00-12.00	\$128	\$109	\$101	\$98	\$91	3/4 x 2-3/4	A
7.061-7.312	152.4-304.8						19.05 x 70	
.2780-.2879	12.01-22.00	\$141	\$118	\$109	\$106	\$96	3/4 x 2-3/4	A
7.061-7.312	304.8-558.8						19.05 x 70	
.2780-.2879	22.01-36.00	\$154	\$128	\$118	\$115	\$104	3/4 x 2-3/4	A
7.061-7.312	558.8-914.4						19.05 x 70	
.2780-.2879	36.01-48.00	\$165	\$140	\$128	\$120	\$114	3/4 x 2-3/4	A
7.061-7.312	558.8-914.4						19.05 x 70	
.2780-.2879	48.01-64.00	\$170	\$145	\$133	\$126	\$118	3/4 x 2-3/4	A
7.061-7.312	1219.2-1625.6						19.05 x 70	
.2780-.2879	64.01-72.00	\$175	\$150	\$138	\$131	\$124	3/4 x 2-3/4	A
7.061-7.312	1625.9-1828.8						19.05 x 70	
.2880-.3000	6.00-12.00	\$128	\$109	\$101	\$98	\$89	3/4 x 2-3/4	A
7.315-7.620	152.4-304.8						19.05 x 70	
.2880-.3000	12.01-22.00	\$140	\$118	\$108	\$105	\$97	3/4 x 2-3/4	A
7.315-7.620	304.8-558.8						19.05 x 70	
.2880-.3000	22.01-36.00	\$155	\$130	\$121	\$117	\$105	3/4 x 2-3/4	A
7.315-7.620	558.8-914.4						19.05 x 70	
.3001-.3259	6.00-12.00	\$131	\$110	\$102	\$99	\$92	3/4 x 2-3/4	A
7.622-8.277	152.4-304.8						19.05 x 70	
.3001-.3259	12.01-22.00	\$141	\$120	\$110	\$108	\$97	3/4 x 2-3/4	A
7.622-8.277	304.8-558.8						19.05 x 70	
.3001-.3259	22.01-36.00	\$156	\$130	\$121	\$115	\$104	3/4 x 2-3/4	A
7.622-8.277	558.8-914.4						19.05 x 70	
.3001-.3259	36.01-48.00	\$168	\$140	\$131	\$127	\$115	3/4 x 2-3/4	A
7.622-8.277	558.8-914.4						19.05 x 70	

Custom Single Flute Gundrills

72 Hour Shipment



Diameter (inches/mm)	Overall (inches/mm)	1 Drill	2-3 Drills	4-5 Drills	6-11 Drills	12-25 Drills	Shank Size (inches/mm)	Shank Type
.3001-.3259 7.622-8.277	48.01-64.00 1219.2-1625.6	\$173	\$145	\$136	\$132	\$130	3/4 x 2-3/4 19.05 x 70	A
.3001-.3259 7.622-8.277	64.01-72.00 1625.9-1828.8	\$178	\$150	\$141	\$136	\$135	3/4 x 2-3/4 19.05 x 70	A
.3260-.3409 8.280-8.658	6.00-12.00 152.4-304.8	\$133	\$114	\$104	\$99	\$93	3/4 x 2-3/4 19.05 x 70	A
.3260-.3409 8.280-8.658	12.01-22.00 304.8-558.8	\$144	\$121	\$111	\$109	\$98	3/4 x 2-3/4 19.05 x 70	A
.3260-.3409 8.280-8.658	22.01-36.00 558.8-914.4	\$156	\$130	\$120	\$117	\$108	3/4 x 2-3/4 19.05 x 70	A
.3410-.3569 8.667-9.065	6.00-12.00 152.4-304.8	\$132	\$111	\$105	\$101	\$93	3/4 x 2-3/4 19.05 x 70	A
.3410-.3569 8.667-9.065	12.01-22.00 304.8-558.8	\$144	\$120	\$110	\$108	\$98	3/4 x 2-3/4 19.05 x 70	A
.3410-.3569 8.667-9.065	22.01-36.00 558.8-914.4	\$158	\$132	\$123	\$120	\$109	3/4 x 2-3/4 19.05 x 70	A
.3410-.3569 8.667-9.065	36.01-48.00 914.4-1219.2	\$169	\$144	\$132	\$117	\$115	3/4 x 2-3/4 19.05 x 70	A
.3410-.3569 8.667-9.065	48.01-64.00 1219.2-1625.6	\$174	\$149	\$136	\$123	\$119	3/4 x 2-3/4 19.05 x 70	A
.3410-.3569 8.667-9.065	64.01-72.00 1625.9-1828.8	\$179	\$155	\$141	\$128	\$125	3/4 x 2-3/4 19.05 x 70	A
.3570-.3720 9.067-9.448	6.00-12.00 152.4-304.8	\$134	\$114	\$104	\$102	\$93	3/4 x 2-3/4 19.05 x 70	A
.3570-.3720 9.067-9.448	12.01-22.00 304.8-558.8	\$145	\$120	\$113	\$110	\$98	3/4 x 2-3/4 19.05 x 70	A
.3570-.3720 9.067-9.448	22.01-36.00 558.8-914.4	\$158	\$132	\$123	\$120	\$107	3/4 x 2-3/4 19.05 x 70	A
.3721-.3879 9.451-9.852	6.00-12.00 152.4-304.8	\$135	\$115	\$106	\$104	\$93	3/4 x 2-3/4 19.05 x 70	A
.3721-.3879 9.451-9.852	12.01-22.00 304.8-558.8	\$145	\$122	\$115	\$111	\$99	3/4 x 2-3/4 19.05 x 70	A
.3721-.3879 9.451-9.852	22.01-36.00 558.8-914.4	\$161	\$134	\$122	\$121	\$111	3/4 x 2-3/4 19.05 x 70	A
.3721-.3879 9.451-9.852	36.01-48.00 914.4-1219.2	\$178	\$150	\$140	\$137	\$121	3/4 x 2-3/4 19.05 x 70	A
.3721-.3879 9.451-9.852	48.01-64.00 1219.2-1625.6	\$183	\$155	\$145	\$142	\$127	3/4 x 2-3/4 19.05 x 70	A
.3721-.3879 9.451-9.852	64.01-72.00 1625.6-1828.8	\$187	\$160	\$150	\$146	\$132	3/4 x 2-3/4 19.05 x 70	A
.3880-.4039 9.855-10.259	6.00-12.00 152.4-304.8	\$135	\$115	\$106	\$104	\$93	3/4 x 2-3/4 19.05 x 70	A
.3880-.4039 9.855-10.259	12.01-22.00 304.8-558.8	\$146	\$121	\$115	\$110	\$99	3/4 x 2-3/4 19.05 x 70	A
.3880-.4039 9.855-10.259	22.01-36.00 558.8-914.4	\$161	\$135	\$123	\$120	\$110	3/4 x 2-3/4 19.05 x 70	A
.3880-.4039 9.855-10.259	36.01-48.00 914.4-1219.2	\$167	\$140	\$131	\$128	\$115	3/4 x 2-3/4 19.05 x 70	A
.4040-.4189 10.261-10.64	6.00-12.00 152.4-304.8	\$141	\$115	\$108	\$104	\$95	3/4 x 2-3/4 19.05 x 70	A
.4040-.4189 10.261-10.64	12.01-22.00 304.8-558.8	\$148	\$125	\$115	\$113	\$101	3/4 x 2-3/4 19.05 x 70	A
.4040-.4189 10.261-10.64	22.01-36.00 558.8-914.4	\$163	\$135	\$126	\$122	\$110	3/4 x 2-3/4 19.05 x 70	A
.4040-.4189 10.261-10.64	36.01-48.00 914.4-1219.2	\$168	\$142	\$131	\$128	\$115	3/4 x 2-3/4 19.05 x 70	A
.4040-.4189 10.261-10.64	48.01-64.00 1219.2-1625.6	\$173	\$146	\$136	\$133	\$119	3/4 x 2-3/4 19.05 x 70	A
.4040-.4189 10.261-10.64	64.01-72.00 1625.6-1828.8	\$178	\$151	\$141	\$138	\$125	3/4 x 2-3/4 19.05 x 70	A
.4190-.4349 10.642-11.046	6.00-12.00 152.4-304.8	\$140	\$115	\$108	\$104	\$95	3/4 x 2-3/4 19.05 x 70	A
.4190-.4349 10.642-11.046	12.01-22.00 304.8-558.8	\$146	\$123	\$115	\$113	\$101	3/4 x 2-3/4 19.05 x 70	A

Diameter (inches/mm)	Overall (inches/mm)	1 Drill	2-3 Drills	4-5 Drills	6-11 Drills	12-25 Drills	Shank Size (inches/mm)	Shank Type
.4190-.4349 10.642-11.046	22.01-36.00 558.8-914.4	\$164	\$137	\$125	\$121	\$111	3/4 x 2-3/4 19.05 x 70	A
.4190-.4349 10.642-11.046	36.01-48.00 914.4-1219.2	\$169	\$142	\$130	\$127	\$116	3/4 x 2-3/4 19.05 x 70	A
.4190-.4349 10.642-11.046	48.01-64.00 1219.2-1625.6	\$174	\$145	\$135	\$132	\$121	3/4 x 2-3/4 19.05 x 70	A
.4190-.4349 10.642-11.046	64.01-72.00 1625.9-1828.8	\$179	\$150	\$140	\$137	\$126	3/4 x 2-3/4 19.05 x 70	A
.4350-.4509 11.049-11.452	6.00-12.00 152.4-304.8	\$141	\$116	\$107	\$105	\$96	3/4 x 2-3/4 19.05 x 70	A
.4350-.4509 11.049-11.452	12.01-22.00 304.8-558.8	\$146	\$123	\$115	\$110	\$101	3/4 x 2-3/4 19.05 x 70	A
.4350-.4509 11.049-11.452	22.01-36.00 558.8-914.4	\$162	\$137	\$126	\$123	\$110	3/4 x 2-3/4 19.05 x 70	A
.4350-.4509 11.049-11.452	36.01-48.00 914.4-1219.2	\$167	\$140	\$128	\$126	\$115	3/4 x 2-3/4 19.05 x 70	A
.4350-.4509 11.049-11.452	48.01-64.00 1219.2-1625.6	\$179	\$151	\$139	\$135	\$122	3/4 x 2-3/4 19.05 x 70	A
.4350-.4509 11.049-11.452	64.01-72.00 1625.9-1828.8	\$186	\$156	\$144	\$141	\$128	3/4 x 2-3/4 25.40 x 70	A
.4510-.4659 11.455-11.833	6.00-12.00 152.4-304.8	\$140	\$120	\$110	\$105	\$95	3/4 x 2-3/4 25.40 x 70	A
.4510-.4659 11.455-11.833	12.01-22.00 304.8-558.8	\$148	\$126	\$115	\$113	\$101	3/4 x 2-3/4 25.40 x 70	A
.4510-.4659 11.455-11.833	22.01-36.00 558.8-914.4	\$161	\$137	\$125	\$122	\$110	3/4 x 2-3/4 25.40 x 70	A
.4510-.4659 11.455-11.833	36.01-48.00 914.4-1219.2	\$170	\$144	\$132	\$130	\$118	3/4 x 2-3/4 25.40 x 70	A
.4660-.4829 11.836-12.265	6.00-12.00 152.4-304.8	\$141	\$120	\$110	\$108	\$97	3/4 x 2-3/4 25.40 x 70	A
.4660-.4829 11.836-12.265	12.01-22.00 304.8-558.8	\$150	\$123	\$115	\$113	\$101	3/4 x 2-3/4 25.40 x 70	A
.4660-.4829 11.836-12.265	22.01-36.00 558.8-914.4	\$162	\$137	\$126	\$122	\$110	3/4 x 2-3/4 25.40 x 70	A
.4660-.4829 11.836-12.265	36.01-48.00 914.4-1219.2	\$173	\$145	\$133	\$131	\$118	3/4 x 2-3/4 25.40 x 70	A
.4660-.4829 11.836-12.265	48.01-64.00 1219.2-1625.6	\$177	\$150	\$138	\$136	\$124	3/4 x 2-3/4 25.40 x 70	A
.4660-.4829 11.836-12.265	64.01-72.00 1625.6-1828.8	\$182	\$156	\$143	\$141	\$129	3/4 x 2-3/4 25.40 x 70	A
.4830-.4979 12.268-12.646	6.00-12.00 152.4-406.4	\$141	\$120	\$113	\$107	\$96	3/4 x 2-3/4 25.40 x 70	A
.4830-.4979 12.268-12.646	12.01-22.00 304.8-558.8	\$150	\$127	\$118	\$115	\$104	3/4 x 2-3/4 25.40 x 70	A
.4830-.4979 12.268-12.646	22.01-36.00 558.8-914.4	\$162	\$137	\$125	\$121	\$110	3/4 x 2-3/4 25.40 x 70	A
.4980-.5079 12.649-12.9	6.00-12.00 152.4-304.8	\$144	\$120	\$111	\$110	\$98	3/4 x 2-3/4 25.40 x 70	A
.4980-.5079 12.649-12.9	12.01-22.00 304.8-558.8	\$152	\$127	\$118	\$114	\$104	3/4 x 2-3/4 25.40 x 70	A
.4980-.5079 12.649-12.9	22.01-36.00 558.8-914.4	\$165	\$141	\$127	\$122	\$110	3/4 x 2-3/4 25.40 x 70	A
.4980-.5079 12.649-12.9	36.01-48.00 914.4-1219.2	\$165	\$141	\$127	\$125	\$113	3/4 x 2-3/4 25.40 x 70	A
.4980-.5079 12.649-12.9	48.01-64.00 1219.2-1625.6	\$170	\$146	\$132	\$130	\$117	3/4 x 2-3/4 25.40 x 70	A
.4980-.5079 12.649-12.9	64.01-72.00 1625.6-1828.8	\$175	\$151	\$137	\$135	\$123	3/4 x 2-3/4 25.40 x 70	A
.5080-.5239 12.903-13.307	6.00-16.00 152.4-406.4	\$145	\$121	\$114	\$111	\$99	1 x 2-3/4 25.40 x 70	A
.5080-.5239 12.903-13.307	16.01-22.00 406.4-558.8	\$155	\$131	\$120	\$115	\$106	1 x 2-3/4 25.40 x 70	A
.5080-.5239 12.903-13.307	22.01-36.00 558.8-914.4	\$165	\$141	\$129	\$126	\$110	1 x 2-3/4 25.40 x 70	A

Custom Single Flute Gundrills

72 Hour Shipment



Diameter (inches/mm)	Overall (inches/mm)	1 Drill	2-3 Drills	4-5 Drills	6-11 Drills	12-25 Drills	Shank Size (inches/mm)	Shank Type
.5080-.5239	36.01-48.00	\$169	\$141	\$129	\$126	\$115	1 x 2-3/4	A
12.903-13.307	914.4-1219.2						25.40 x 70	
.5240-.5409	6.00-16.00	\$146	\$121	\$114	\$111	\$99	1 x 2-3/4	A
13.309-13.738	152.4-406.4						25.40 x 70	
.5240-.5409	16.01-22.00	\$154	\$131	\$121	\$118	\$103	1 x 2-3/4	A
13.309-13.738	406.4-558.8						25.40 x 70	
.5240-.5409	22.01-36.00	\$164	\$140	\$128	\$126	\$114	1 x 2-3/4	A
13.309-13.738	558.8-914.4						25.40 x 70	
.5240-.5409	36.01-48.00	\$168	\$142	\$131	\$126	\$115	1 x 2-3/4	A
13.309-13.738	914.4-1219.2						25.40 x 70	
.5240-.5409	48.01-64.00	\$173	\$146	\$137	\$131	\$119	1 x 2-3/4	A
13.309-13.738	1219.2-1625.6						25.40 x 70	
.5240-.5409	64.01-72.00	\$178	\$151	\$142	\$137	\$125	1 x 2-3/4	A
13.309-13.738	1625.6-1828.8						25.40 x 70	
.5410-.5549	6.00-16.00	\$149	\$125	\$116	\$114	\$102	1 x 2-3/4	A
13.741-14.094	152.4-406.4						25.40 x 70	
.5410-.5549	16.01-22.00	\$157	\$133	\$122	\$120	\$107	1 x 2-3/4	A
13.741-14.094	406.4-558.8						25.40 x 70	
.5410-.5549	22.01-36.00	\$172	\$144	\$132	\$128	\$117	1 x 2-3/4	A
13.741-14.094	558.8-914.4						25.40 x 70	
.5550-.5719	6.00-16.00	\$149	\$126	\$118	\$115	\$104	1 x 2-3/4	A
14.097-14.526	152.4-406.4						25.40 x 70	
.5550-.5719	16.01-22.00	\$161	\$133	\$122	\$121	\$110	1 x 2-3/4	A
14.097-14.526	406.4-558.8						25.40 x 70	
.5550-.5719	22.01-36.00	\$173	\$145	\$133	\$131	\$117	1 x 2-3/4	A
14.097-14.526	558.8-914.4						25.40 x 70	
.5550-.5719	36.01-48.00	\$181	\$155	\$145	\$141	\$125	1 x 2-3/4	A
14.097-14.526	914.4-1219.2						25.40 x 70	
.5550-.5719	48.01-64.00	\$250	\$209	\$193	\$188	\$168	1 x 2-3/4	A
14.097-14.526	1219.2-1625.6						25.40 x 70	
.5550-.5719	64.01-72.00	\$261	\$218	\$202	\$196	\$176	1 x 2-3/4	A
14.097-14.526	1625.6-1828.8						25.40 x 70	
.5720-.5919	6.00-16.00	\$154	\$127	\$120	\$115	\$104	1 x 2-3/4	A
14.528-15.034	152.4-406.4						25.40 x 70	
.5720-.5919	16.01-22.00	\$161	\$135	\$122	\$115	\$103	1 x 2-3/4	A
14.528-15.034	406.4-558.8						25.40 x 70	
.5720-.5919	22.01-36.00	\$165	\$145	\$133	\$130	\$119	1 x 2-3/4	A
14.528-15.034	558.8-914.4						25.40 x 70	
.5720-.5919	48.01-64.00	\$170	\$150	\$138	\$135	\$125	1 x 2-3/4	A
14.528-15.034	1219.2-1625.6						25.40 x 70	
.5720-.5919	64.01-72.00	\$175	\$156	\$143	\$140	\$130	1 x 2-3/4	A
14.528-15.034	1625.6-1828.8						25.40 x 70	
.5920-.6039	6.00-16.00	\$154	\$129	\$121	\$119	\$106	1 x 2-3/4	A
15.036-15.339	152.4-406.4						25.40 x 70	
.5920-.6039	16.01-22.00	\$164	\$139	\$128	\$121	\$105	1 x 2-3/4	A
15.036-15.339	406.4-558.8						25.40 x 70	
.5920-.6039	22.01-36.00	\$174	\$148	\$139	\$132	\$118	1 x 2-3/4	A
15.036-15.339	558.8-914.4						25.40 x 70	
.5920-.6039	36.01-48.00	\$178	\$155	\$143	\$138	\$128	1 x 2-3/4	A
15.036-15.339	914.4-1219.2						25.40 x 70	
.6040-.6219	6.00-16.00	\$164	\$139	\$126	\$122	\$111	1 x 2-3/4	A
15.341-15.796	152.4-406.4						25.40 x 70	
.6040-.6219	16.01-22.00	\$173	\$148	\$135	\$131	\$119	1 x 2-3/4	A
15.341-15.796	406.4-558.8						25.40 x 70	
.6040-.6219	22.01-36.00	\$181	\$157	\$145	\$142	\$127	1 x 2-3/4	A
15.341-15.796	558.8-914.4						25.40 x 70	
.6220-.6359	6.00-16.00	\$165	\$139	\$128	\$126	\$113	1 x 2-3/4	A
15.798-16.151	152.4-406.4						25.40 x 70	
.6220-.6359	16.01-22.00	\$177	\$146	\$135	\$133	\$115	1 x 2-3/4	A
15.798-16.151	406.4-558.8						25.40 x 70	
.6220-.6359	22.01-36.00	\$187	\$158	\$148	\$143	\$126	1 x 2-3/4	A
15.798-16.151	558.8-914.4						25.40 x 70	
.6220-.6359	48.01-64.00	\$200	\$164	\$152	\$148	\$131	1 x 2-3/4	A
15.798-16.151	1219.2-1625.6						25.40 x 70	

Diameter (inches/mm)	Overall (inches/mm)	1 Drill	2-3 Drills	4-5 Drills	6-11 Drills	12-25 Drills	Shank Size (inches/mm)	Shank Type
.6220-.6359	64.01-72.00	\$205	\$169	\$158	\$153	\$136	1 x 2-3/4	A
15.798-16.151	1625.6-1828.8						25.40 x 70	
.6220-.6359	36.01-48.00	\$201	\$169	\$157	\$152	\$139	1 x 2-3/4	A
15.798-16.151	914.4-1219.2						25.40 x 70	
.6360-.6499	6.00-16.00	\$162	\$135	\$125	\$121	\$110	1 x 2-3/4	A
16.154-16.507	152.4-406.4						25.40 x 70	
.6360-.6499	16.01-22.00	\$170	\$144	\$131	\$128	\$115	1 x 2-3/4	A
16.154-16.507	406.4-558.8						25.40 x 70	
.6360-.6499	22.01-36.00	\$181	\$154	\$141	\$135	\$123	1 x 2-3/4	A
16.154-16.507	558.8-914.4						25.40 x 70	
.6500-.6699	6.00-16.00	\$162	\$138	\$126	\$122	\$110	1 x 2-3/4	A
16.51-17.015	152.4-406.4						25.40 x 70	
.6500-.6699	16.01-22.00	\$172	\$144	\$132	\$129	\$118	1 x 2-3/4	A
16.51-17.015	406.4-558.8						25.40 x 70	
.6500-.6699	22.01-36.00	\$187	\$156	\$144	\$142	\$127	1-1/4 x 2-3/4	A
16.51-17.015	558.8-914.4						31.75 x 70	
.6500-.6699	36.01-48.00	\$200	\$162	\$149	\$146	\$132	1-1/4 x 2-3/4	A
16.51-17.015	914.4-1219.2						31.75 x 70	
.6500-.6699	48.01-64.00	\$205	\$167	\$155	\$151	\$137	1-1/4 x 2-3/4	A
16.51-17.015	1219.2-1625.6						31.75 x 70	
.6500-.6699	64.01-72.00	\$210	\$172	\$160	\$157	\$142	1-1/4 x 2-3/4	A
16.51-17.015	1625.6-1828.8						31.75 x 70	
.6700-.6859	6.00-16.00	\$165	\$139	\$127	\$125	\$111	1-1/4 x 2-3/4	A
17.018-17.421	152.4-406.4						31.75 x 70	
.6700-.6859	16.01-22.00	\$173	\$145	\$133	\$132	\$118	1-1/4 x 2-3/4	A
17.018-17.421	406.4-558.8						31.75 x 70	
.6700-.6859	22.01-36.00	\$182	\$158	\$145	\$143	\$127	1-1/4 x 2-3/4	A
17.018-17.421	558.8-914.4						31.75 x 70	
.6700-.6859	36.01-48.00	\$197	\$165	\$154	\$149	\$133	1-1/4 x 2-3/4	A
17.018-17.421	914.4-1219.2						31.75 x 70	
.6860-.6999	6.00-16.00	\$165	\$140	\$129	\$125	\$113	1-1/4 x 2-3/4	A
17.424-17.777	152.4-406.4						31.75 x 70	
.6860-.6999	16.01-22.00	\$175	\$146	\$135	\$133	\$120	1-1/4 x 2-3/4	A
17.424-17.777	406.4-558.8						31.75 x 70	
.6860-.6999	22.01-36.00	\$190	\$160	\$148	\$145	\$129	1-1/4 x 2-3/4	A
17.424-17.777	558.8-914.4						31.75 x 70	
.6860-.6999	36.01-48.00	\$198	\$166	\$154	\$151	\$135	1-1/4 x 2-3/4	A
17.424-17.777	914.4-1219.2						31.75 x 70	
.7000-.7149	6.00-16.00	\$173	\$148	\$137	\$132	\$118	1-1/4 x 2-3/4	A
17.78-18.158	152.4-406.4						31.75 x 70	
.7000-.7149	16.01-22.00	\$184	\$156	\$145	\$141	\$126	1-1/4 x 2-3/4	A
17.78-18.158	406.4-558.8						31.75 x 70	
.7000-.7149	22.01-36.00	\$198	\$169	\$156	\$152	\$137	1-1/4 x 2-3/4	A
17.78-18.158	558.8-914.4						31.75 x 70	
.7000-.7149	36.01-48.00	\$212	\$177	\$163	\$158	\$142	1-1/4 x 2-3/4	A
17.78-18.158	914.4-1219.2						31.75 x 70	
.7150-.7309	6.00-16.00	\$177	\$149	\$139	\$135	\$121	1-1/4 x 2-3/4	A
18.161-18.564	152.4-406.4						31.75 x 70	
.7150-.7309	16.01-22.00	\$180	\$158	\$146	\$143	\$126	1-1/4 x 2-3/4	A
18.161-18.564	406.4-558.8						31.75 x 70	
.7150-.7309	22.01-36.00	\$202	\$170	\$157	\$154	\$140	1-1/4 x 2-3/4	A
18.161-18.564	558.8-914.4						31.75 x 70	
.7150-.7309	36.01-48.00	\$210	\$176	\$163	\$160	\$145	1-1/4 x 2-3/4	A
18.161-18.564	914.4-1219.2						31.75 x 70	
.7150-.7309	48.01-64.00	\$215	\$181	\$168	\$165	\$150	1-1/4 x 2-3/4	A
18.161-18.564	1219.2-1625.6						31.75 x 70	
.7150-.7309	64.01-72.00	\$220	\$186	\$174	\$170	\$156	1-1/4 x 2-3/4	A
18.161-18.564	1625.6-1828.8						31.75 x 70	
.7310-.7459	6.00-16.00	\$180	\$151	\$139	\$137	\$121	1-1/4 x 2-3/4	A
18.567-18.945	152.4-406.4						31.75 x 70	
.7310-.7459	16.01-22.00	\$188	\$158	\$148	\$143	\$128	1-1/4 x 2-3/4	A
18.567-18.945	406.4-558.8						31.75 x 70	
.7310-.7459	22.01-36.00	\$209	\$172	\$158	\$154	\$139	1-1/4 x 2-3/4	A
18.567-18.945	558.8-914.4						31.75 x 70	

Custom Single Flute Gundrills

72 Hour Shipment



Diameter (inches/mm)	Overall (inches/mm)	1 Drill	2-3 Drills	4-5 Drills	6-11 Drills	12-25 Drills	Shank Size (inches/mm)	Shank Type
.7460-.7609	6.00-16.00	\$180	\$151	\$140	\$138	\$121	1-1/4 x 2-3/4	A
18.948-19.326	152.4-406.4						31.75 x 70	
.7460-.7609	16.01-22.00	\$191	\$158	\$148	\$142	\$130	1-1/4 x 2-3/4	A
18.948-19.326	406.4-558.8						31.75 x 70	
.7460-.7609	22.01-36.00	\$207	\$173	\$158	\$154	\$139	1-1/4 x 2-3/4	A
18.948-19.326	558.8-914.4						31.75 x 70	
.7460-.7609	36.01-48.00	\$213	\$180	\$165	\$161	\$144	1-1/4 x 2-3/4	A
18.948-19.326	914.4-1219.2						31.75 x 70	
.7460-.7609	48.01-64.00	\$282	\$236	\$217	\$212	\$190	1-1/4 x 2-3/4	A
18.948-19.326	1219.2-1625.6						31.75 x 70	
.7460-.7609	64.01-72.00	\$291	\$244	\$225	\$219	\$197	1-1/4 x 2-3/4	A
18.948-19.326	1625.6-1828.8						31.75 x 70	
.7610-.7799	8.00-22.00	\$199	\$169	\$150	\$148	\$132	1-1/4 x 2-3/4	A
19.329-19.809	203.2-558.8						31.75 x 70	
.7610-.7799	22.01-36.00	\$213	\$180	\$164	\$161	\$145	1-1/4 x 2-3/4	A
19.329-19.809	558.8-914.4						31.75 x 70	
.7610-.7799	36.01-48.00	\$252	\$216	\$207	\$202	\$180	1-1/4 x 2-3/4	A
19.329-19.809	914.4-1219.2						31.75 x 70	
.7800-.7949	8.00-22.00	\$176	\$156	\$146	\$143	\$128	1-1/4 x 2-3/4	A
19.812-20.19	203.2-558.8						31.75 x 70	
.7800-.7949	22.01-36.00	\$187	\$168	\$157	\$152	\$139	1-1/4 x 2-3/4	A
19.812-20.19	558.8-914.4						31.75 x 70	
.7800-.7949	36.01-48.00	\$252	\$213	\$196	\$190	\$170	1-1/4 x 2-3/4	A
19.812-20.19	914.4-1219.2						31.75 x 70	
.7950-.8089	8.00-22.00	\$195	\$164	\$153	\$148	\$132	1-1/4 x 2-3/4	A
20.193-20.546	203.2-558.8						31.75 x 70	
.7950-.8089	22.01-36.00	\$210	\$176	\$163	\$158	\$144	1-1/4 x 2-3/4	A
20.193-20.546	558.8-914.4						31.75 x 70	
.8090-.8259	8.00-22.00	\$197	\$166	\$153	\$150	\$134	1-1/4 x 2-3/4	A
20.548-20.977	203.2-558.8						31.75 x 70	
.8090-.8259	22.01-36.00	\$213	\$179	\$164	\$161	\$145	1-1/4 x 2-3/4	A
20.548-20.977	558.8-914.4						31.75 x 70	
.8090-.8259	36.01-48.00	\$228	\$192	\$178	\$173	\$155	1-1/2 x 2-3/4	C
20.548-20.977	914.4-1219.2						31.75 x 70	
.8090-.8259	48.01-64.00	\$234	\$198	\$183	\$178	\$161	1-1/2 x 2-3/4	C
20.548-20.977	1219.2-1625.6						31.75 x 70	
.8090-.8259	64.01-72.00	\$239	\$203	\$187	\$183	\$166	1-1/2 x 2-3/4	C
20.548-20.977	1625.6-1828.8						31.75 x 70	
.8260-.8409	8.00-22.00	\$210	\$176	\$163	\$158	\$139	1-3/4 x 2-3/4	C
20.98-21.358	203.2-558.8						31.75 x 70	
.8260-.8409	22.01-36.00	\$220	\$185	\$172	\$167	\$152	1-3/4 x 2-3/4	C
20.98-21.358	558.8-914.4						31.75 x 70	
.8410-.8569	8.00-22.00	\$202	\$169	\$158	\$153	\$139	1-3/4 x 2-3/4	C
21.361-21.765	203.2-558.8						31.75 x 70	
.8410-.8569	22.01-36.00	\$215	\$182	\$169	\$165	\$148	1-3/4 x 2-3/4	C
21.361-21.765	558.8-914.4						31.75 x 70	
.8570-.8729	8.00-22.00	\$220	\$180	\$169	\$162	\$148	1-3/4 x 2-3/4	C
21.767-22.171	203.2-558.8						31.75 x 70	
.8570-.8729	22.01-36.00	\$232	\$193	\$178	\$172	\$158	1-3/4 x 2-3/4	C
21.767-22.171	558.8-914.4						31.75 x 70	
.8570-.8729	36.01-48.00	\$257	\$220	\$202	\$193	\$175	1-3/4 x 2-3/4	C
21.767-22.171	914.4-1219.2						31.75 x 70	
.8730-.8879	8.00-22.00	\$220	\$180	\$172	\$169	\$150	1-3/4 x 2-3/4	C
22.174-22.552	203.2-558.8						31.75 x 70	
.8730-.8879	22.01-36.00	\$235	\$202	\$180	\$176	\$160	1-3/4 x 2-3/4	C
22.174-22.552	558.8-914.4						31.75 x 70	
.8730-.8879	36.01-48.00	\$262	\$220	\$202	\$197	\$180	2 x 2-3/4	C
22.174-22.552	914.4-1219.2						50.80 x 70	
.8880-.8959	8.00-22.00	\$221	\$187	\$170	\$169	\$151	2 x 2-3/4	C
22.555-22.755	203.2-558.8						50.80 x 70	
.8880-.8959	22.01-36.00	\$237	\$196	\$180	\$178	\$158	2 x 2-3/4	C
22.555-22.755	558.8-914.4						50.80 x 70	
.8960-.9189	8.00-22.00	\$234	\$197	\$181	\$176	\$158	2 x 2-3/4	C
22.555-22.755	203.2-558.8						50.80 x 70	

Diameter (inches/mm)	Overall (inches/mm)	1 Drill	2-3 Drills	4-5 Drills	6-11 Drills	12-25 Drills	Shank Size (inches/mm)	Shank Type
.8960-.9189	22.01-36.00	\$246	\$209	\$191	\$184	\$169	1-1/4 x 2-3/4	A
22.555-22.755	558.8-914.4						31.75 x 70	
.9190-.9329	8.00-22.00	\$236	\$198	\$186	\$180	\$160	1-1/4 x 2-3/4	A
23.342-23.695	203.2-558.8						31.75 x 70	
.9190-.9329	22.01-36.00	\$249	\$213	\$193	\$191	\$172	1-1/4 x 2-3/4	A
23.342-23.695	558.8-914.4						31.75 x 70	
.9190-.9329	36.01-48.00	\$304	\$258	\$235	\$229	\$211	1-1/4 x 2-3/4	A
23.342-23.695	914.4-1219.2						31.75 x 70	
.9190-.9329	48.01-64.00	\$405	\$338	\$311	\$305	\$142	1-1/4 x 2-3/4	A
23.342-23.695	1219.2-1625.6						31.75 x 70	
.9190-.9329	64.01-72.00	\$421	\$351	\$323	\$316	\$283	1-1/4 x 2-3/4	A
23.342-23.695	1625.6-1828.8						31.75 x 70	
.9330-.9509	8.00-22.00	\$232	\$193	\$179	\$175	\$158	1-1/4 x 2-3/4	A
23.698-24.152	203.2-558.8						31.75 x 70	
.9330-.9509	22.01-36.00	\$249	\$209	\$192	\$182	\$169	1-1/4 x 2-3/4	A
23.698-24.152	558.8-914.4						31.75 x 70	
.9330-.9509	36.01-48.00	\$300	\$251	\$233	\$226	\$203	1-1/4 x 2-3/4	A
23.698-24.152	914.4-1219.2						31.75 x 70	
.9330-.9509	48.01-64.00	\$306	\$256	\$238	\$232	\$208	1-1/4 x 2-3/4	A
23.698-24.152	1219.2-1625.6						31.75 x 70	
.9330-.9509	64.01-72.00	\$311	\$262	\$243	\$237	\$213	1-1/4 x 2-3/4	A
23.698-24.152	1625.6-1828.8						31.75 x 70	
.9510-.9619	8.00-22.00	\$247	\$208	\$191	\$182	\$169	1-1/4 x 2-3/4	A
24.155-24.432	203.2-558.8						31.75 x 70	
.9510-.9619	22.01-36.00	\$262	\$222	\$207	\$202	\$180	1-1/4 x 2-3/4	A
24.155-24.432	558.8-914.4						31.75 x 70	
.9620-.9819	8.00-22.00	\$255	\$213	\$205	\$191	\$169	1-1/4 x 2-3/4	A
24.434-24.94	203.2-558.8						31.75 x 70	
.9620-.9819	22.01-36.00	\$269	\$220	\$205	\$199	\$176	1-1/4 x 2-3/4	A
24.434-24.94	558.8-914.4						31.75 x 70	
.9820-.9979	8.00-22.00	\$249	\$213	\$197	\$191	\$172	1-1/4 x 2-3/4	A
24.942-25.346	203.2-558.8						31.75 x 70	
.9820-.9979	22.01-36.00	\$263	\$221	\$204	\$198	\$180	1-1/4 x 2-3/4	A
24.942-25.346	558.8-914.4						31.75 x 70	
.9820-.9979	48.01-64.00	\$269	\$226	\$209	\$203	\$185	1-1/4 x 2-3/4	A
24.942-25.346	1219.2-1625.6						31.75 x 70	
.9820-.9979	64.01-72.00	\$274	\$231	\$214	\$209	\$191	1-1/4 x 2-3/4	A
24.942-25.346	1625.6-1828.8						31.75 x 70	
.9980-1.0579	8.00-22.00	\$259	\$215	\$199	\$193	\$175	1-1/4 x 2-3/4	A
25.349-1.47	203.2-558.8						31.75 x 70	
.9980-1.0579	22.01-36.00	\$270	\$224	\$213	\$204	\$182	1-1/4 x 2-3/4	A
25.349-1.47	558.8-914.4						31.75 x 70	
.9980-1.0579	36.01-48.00	\$306	\$252	\$235	\$224	\$204	1-1/4 x 2-3/4	A
25.349-1.47	914.4-1219.2						31.75 x 70	
.9980-1.0579	64.01-72.00	\$311	\$258	\$240	\$229	\$209	1-1/4 x 2-3/4	A
25.349-1.47	1625.6-1828.8						31.75 x 70	
1.0580-1.0999	8.00-22.00	\$300	\$252	\$229	\$225	\$202	1-1/2 x 2-3/4	C
26.873-27.937	203.2-558.8						31.75 x 70	
1.0580-1.0999	22.01-36.00	\$328	\$274	\$252	\$241	\$220	1-1/2 x 2-3/4	C
26.873-27.937	558.8-914.4						31.75 x 70	
1.0580-1.0999	36.01-48.00	\$356	\$296	\$278	\$270	\$241	1-1/2 x 2-3/4	C
26.873-27.937	914.4-1219.2						31.75 x 70	
1.1000-1.1729	8.00-22.00	\$319	\$274	\$248	\$241	\$216	1-3/4 x 2-3/4	C
27.94-29.791	203.2-558.8						31.75 x 70	
1.1000-1.1729	22.01-36.00	\$339	\$281	\$258	\$251	\$224	1-3/4 x 2-3/4	C
27.94-29.791	558.8-914.4						31.75 x 70	
1.1000-1.1729	36.01-48.00	\$343	\$293	\$274	\$263	\$235	1-3/4 x 2-3/4	C
27.94-29.791	914.4-1219.2						31.75 x 70	
1.1000-1.1729	48.01-64.00	\$348	\$298	\$279	\$269	\$240	1-3/4 x 2-3/4	C
27.94-29.791	1219.2-1625.6						31.75 x 70	
1.1000-1.1729	64.01-72.00	\$353	\$303	\$284	\$274	\$245	1-3/4 x 2-3/4	C
27.94-29.791	1625.6-1828.8						31.75 x 70	
1.1730-1.2239	8.00-22.00	\$351	\$295	\$274	\$270	\$239	1-3/4 x 2-3/4	C
29.794-31.087	203.2-558.8						31.75 x 70	

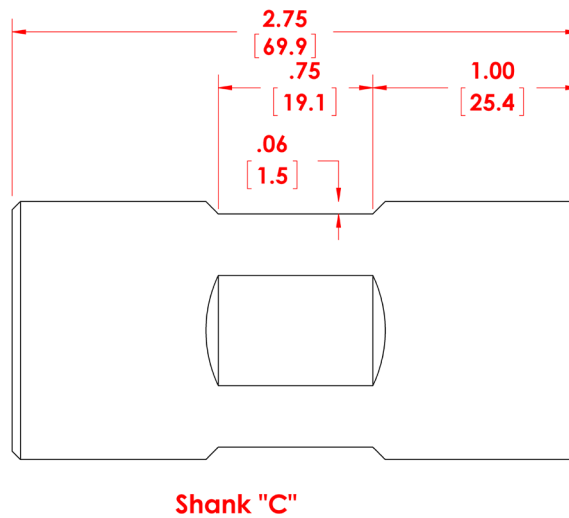
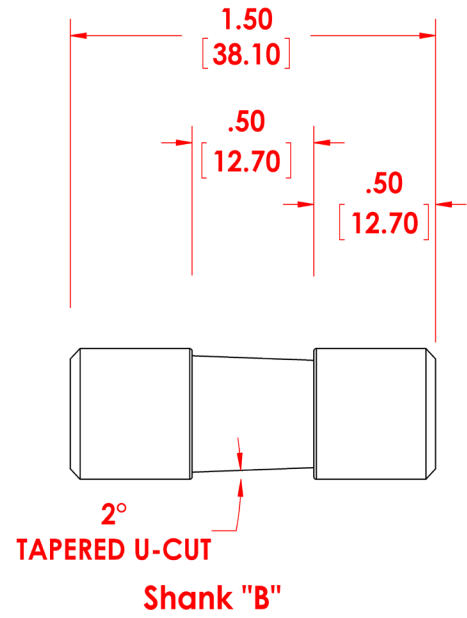
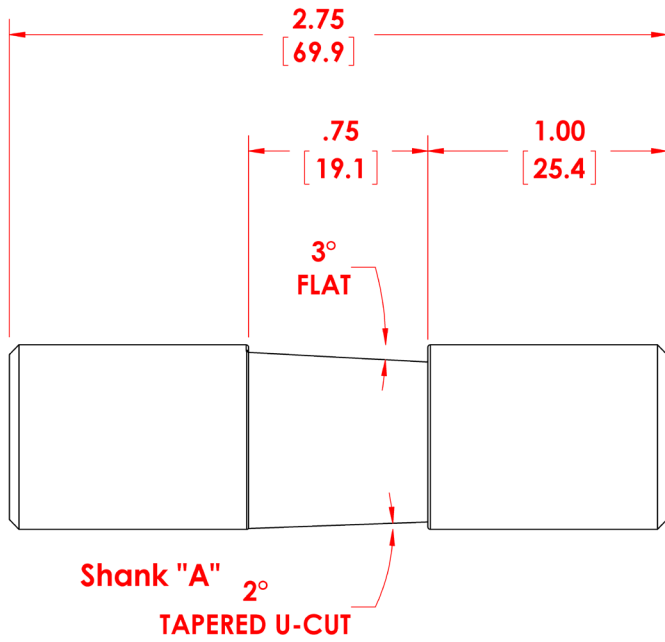
Custom Single Flute Gundrills

72 Hour Shipment



Diameter (inches/mm)	Overall (inches/mm)	1 Drill	2-3 Drills	4-5 Drills	6-11 Drills	12-25 Drills	Shank Size (inches/mm)	Shank Type
1.1730-1.2239 29.794-31.087	22.01-36.00 558.8-914.4	\$369	\$311	\$288	\$281	\$248	1-3/4 x 2-3/4 31.75 x 70	C
1.1730-1.2239 29.794-31.087	36.01-48.00 914.4-1219.2	\$424	\$355	\$325	\$314	\$283	1-3/4 x 2-3/4 31.75 x 70	C
1.2240-1.2769 31.089-32.433	8.00-22.00 203.2-558.8	\$399	\$333	\$307	\$300	\$268	1-3/4 x 2-3/4 31.75 x 70	C
1.2240-1.2769 31.089-32.433	22.01-36.00 558.8-914.4	\$412	\$344	\$320	\$311	\$281	1-3/4 x 2-3/4 31.75 x 70	C
1.2240-1.2769 31.089-32.433	36.01-48.00 914.4-1219.2	\$432	\$363	\$333	\$322	\$290	1-3/4 x 2-3/4 31.75 x 70	C
1.2770-1.3689 32.435-34.77	8.00-22.00 203.2-558.8	\$433	\$362	\$334	\$326	\$292	2 x 2-3/4 50.80 x 70	C
1.2770-1.3689 32.435-34.77	22.01-36.00 558.8-914.4	\$466	\$389	\$356	\$351	\$314	2 x 2-3/4 50.80 x 70	C
1.2770-1.3689 32.435-34.77	36.01-48.00 914.4-1219.2	\$488	\$411	\$378	\$368	\$338	2 x 2-3/4 50.80 x 70	C
1.2770-1.3689 32.435-34.77	48.01-64.00 1219.2-1625.6	\$493	\$416	\$383	\$374	\$343	2 x 2-3/4 50.80 x 70	C
1.2770-1.3689 32.435-34.77	64.01-72.00 1625.6-1828.8	\$499	\$421	\$388	\$379	\$348	2 x 2-3/4 50.80 x 70	C
1.3690-1.4949 34.772-37.97	8.00-22.00 203.2-558.8	\$482	\$404	\$369	\$362	\$322	2 x 2-3/4 50.80 x 70	C
1.3690-1.4949 34.772-37.97	22.01-36.00 558.8-914.4	\$519	\$432	\$399	\$388	\$344	2 x 2-3/4 50.80 x 70	C
1.3690-1.4949 34.772-37.97	36.01-48.00 914.4-1219.2	\$538	\$450	\$420	\$410	\$366	2 x 2-3/4 50.80 x 70	C
1.3690-1.4949 34.772-37.97	48.01-64.00 1219.2-1625.6	\$543	\$455	\$424	\$415	\$371	2 x 2-3/4 50.80 x 70	C
1.3690-1.4949 34.772-37.97	64.01-72.00 1625.6-1828.8	\$548	\$480	\$430	\$411	\$376	2 x 2-3/4 50.80 x 70	C
1.4950-1.5080 37.973-38.303	8.00-22.00 203.2-558.8	\$528	\$439	\$406	\$396	\$354	2 x 2-3/4 50.80 x 70	C
1.4950-1.5080 37.973-38.303	22.01-36.00 558.8-914.4	\$561	\$468	\$431	\$421	\$376	2 x 2-3/4 50.80 x 70	C
1.4950-1.5080 37.973-38.303	36.01-48.00 914.4-1219.2	\$587	\$490	\$452	\$440	\$393	2 x 2-3/4 50.80 x 70	C
1.4950-1.5080 37.973-38.303	48.01-64.00 1219.2-1625.6	\$592	\$494	\$457	\$446	\$399	2 x 2-3/4 50.80 x 70	C
1.4950-1.5080 37.973-38.303	64.01-72.00 1625.6-1828.8	\$577	\$494	\$462	\$451	\$404	2 x 2-3/4 50.80 x 70	C

Single Flute Gundrill Standard Drivers



NOTE:
 Inch
 [Metric]

*Pricing Effective 2019



Star SU LLC
 5200 Prairie Stone Parkway,
 Suite 100
 Hoffman Estates, IL 60192
 Tel.: 847 649 1450
 Fax: 847 649 0112
 e-mail: sales@star-su.com
 web: www.star-su.com

Star Cutter Company
 23461 Industrial Park Drive
 Farmington Hills, MI 49629-0728
 Tel.: 231 264 5661
 Fax: 231 264 5663
 e-mail: sales@starcutter.com
 web: www.starcutter.com