



Custom Single Flute Gundrills 72 Hour Shipment



Application specific designs.
72 hour: Design, Build, Ship.
Technical support available.

Call **877-635-3488** for availability



Custom Single Flute Gundrills

Diameter (inches/mm)	Overall (inches/mm)	1 Drill	2-3 Drills	4-5 Drills	6-11 Drills	12-25 Drills	Shank Size (inches/mm)	Shank Type
.0920-.1070 2.336-2.717	5.00-10.00 127.0-254.0	\$167	\$140	\$131	\$128	\$114	1/2 x 1-1/2 12.7 x 38.1	B
.0920-.1070 2.336-2.717	10.01-16.00 254-406.4	\$175	\$151	\$147	\$137	\$119	1/2 x 1-1/2 12.7 x 38.1	B
.1071-.1149 2.720-.9180	5.00-10.00 127.0-254.0	\$151	\$132	\$117	\$114	\$107	1/2 x 1-1/2 12.7 x 38.1	B
.1071-.1149 2.720-.9180	10.01-16.00 254-406.4	\$159	\$136	\$125	\$123	\$110	1/2 x 1-1/2 12.7 x 38.1	B
.1071-.1149 2.720-.9180	16.01-22.00 406.4-558.8	\$166	\$141	\$131	\$126	\$114	1/2 x 1-1/2 12.7 x 38.1	B
.1150-.1229 2.921-3.121	5.00-10.00 127-254	\$151	\$131	\$118	\$115	\$103	1/2 x 1-1/2 12.7 x 38.1	B
.1150-.1229 2.921-3.121	10.01-16.00 254-406.4	\$159	\$136	\$123	\$121	\$109	1/2 x 1-1/2 12.7 x 38.1	B
.1150-.1229 2.921-3.121	16.01-22.00 406.4-558.8	\$165	\$141	\$128	\$124	\$112	1/2 x 1-1/2 12.7 x 38.1	B
.1230-.1359 3.124-3.451	6.00-12.00 152.4-304.8	\$114	\$98	\$93	\$89	\$80	3/4 x 2-3/4 19.05 x 70	A
.1230-.1359 3.124-3.451	12.01-22.00 304.8-558.8	\$123	\$106	\$97	\$94	\$87	3/4 x 2-3/4 19.05 x 70	A
.1230-.1359 3.124-3.451	22.01-28.00 558.8-711.2	\$130	\$112	\$109	\$107	\$92	3/4 x 2-3/4 19.05 x 70	A
.1230-.1359 3.124-3.451	28.01-36.00 711.2-914.4	\$126	\$119	\$108	\$100	\$97	3/4 x 2-3/4 19.05 x 70	A
.1360-.1529 3.454-3.883	6.00-12.00 152.4-304.8	\$115	\$102	\$91	\$89	\$82	3/4 x 2-3/4 19.05 x 70	A
.1360-.1529 3.454-3.883	12.01-22.00 304.8-558.8	\$125	\$106	\$98	\$97	\$88	3/4 x 2-3/4 19.05 x 70	A
.1360-.1529 3.454-3.883	22.01-28.00 558.8-711.2	\$133	\$113	\$105	\$103	\$92	3/4 x 2-3/4 19.05 x 70	A
.1530-.1679 3.886-4.264	6.00-12.00 152.4-304.8	\$115	\$97	\$91	\$88	\$80	3/4 x 2-3/4 19.05 x 70	A
.1530-.1679 3.886-4.264	12.01-22.00 304.8-558.8	\$125	\$105	\$98	\$96	\$88	3/4 x 2-3/4 19.05 x 70	A
.1530-.1679 3.886-4.264	22.01-36.00 558.8-914.4	\$141	\$118	\$111	\$108	\$97	3/4 x 2-3/4 19.05 x 70	A
.1530-.1679 3.886-4.264	36.01-48.00 914.4-1219.2	\$156	\$129	\$118	\$117	\$106	3/4 x 2-3/4 19.05 x 70	A
.1680-.1799 4.267-4.569	6.00-12.00 152.4-304.8	\$116	\$98	\$92	\$89	\$83	3/4 x 2-3/4 19.05 x 70	A
.1680-.1799 4.267-4.569	12.01-22.00 304.8-558.8	\$128	\$108	\$98	\$97	\$88	3/4 x 2-3/4 19.05 x 70	A
.1680-.1799 4.267-4.569	22.01-36.00 558.8-914.4	\$141	\$118	\$111	\$108	\$97	3/4 x 2-3/4 19.05 x 70	A
.1680-.1799 4.267-4.569	36.01-48.00 914.4-1219.2	\$156	\$129	\$122	\$113	\$108	3/4 x 2-3/4 19.05 x 70	A
.1800-.1979 4.572-5.026	6.00-12.00 152.4-304.8	\$117	\$98	\$93	\$88	\$80	3/4 x 2-3/4 19.05 x 70	A
.1800-.1979 4.572-5.026	12.01-22.00 304.8-558.5	\$128	\$108	\$100	\$98	\$90	3/4 x 2-3/4 19.05 x 70	A
.1800-.1979 4.572-5.026	22.01-36.00 558.8-914.4	\$141	\$118	\$111	\$108	\$98	3/4 x 2-3/4 19.05 x 70	A
.1800-.1979 4.572-5.026	36.01-48.00 914.4-1219.2	\$156	\$130	\$122	\$117	\$107	3/4 x 2-3/4 19.05 x 70	A
.1980-.2129 5.029-5.407	6.00-12.00 152.4-304.8	\$121	\$101	\$94	\$92	\$83	3/4 x 2-3/4 19.05 x 70	A
.1980-.2129 5.029-5.407	12.01-22.00 304.8-558.8	\$128	\$108	\$101	\$97	\$92	3/4 x 2-3/4 19.05 x 70	A
.1980-.2129 5.029-5.407	22.01-36.00 558.8-914.4	\$145	\$118	\$111	\$108	\$98	3/4 x 2-3/4 19.05 x 70	A
.1980-.2129 5.029-5.407	36.01-48.00 914.4-1219.2	\$157	\$131	\$121	\$117	\$106	3/4 x 2-3/4 19.05 x 70	A
.2130-.2309 5.410-5.864	6.00-12.00 152.4-304.8	\$116	\$101	\$93	\$90	\$83	3/4 x 2-3/4 19.05 x 70	A

Diameter (inches/mm)	Overall (inches/mm)	1 Drill	2-3 Drills	4-5 Drills	6-11 Drills	12-25 Drills	Shank Size (inches/mm)	Shank Type
.2130-.2309 5.410-5.864	12.01-22.00 304.8-558.8	\$127	\$108	\$101	\$98	\$91	3/4 x 2-3/4 19.05 x 70	A
.2130-.2309 5.410-5.864	22.01-36.00 558.8-914.4	\$142	\$118	\$115	\$108	\$98	3/4 x 2-3/4 19.05 x 70	A
.2130-.2309 5.410-5.864	36.01-48.00 914.4-1219.2	\$155	\$132	\$118	\$115	\$104	3/4 x 2-3/4 19.05 x 70	A
.2130-.2479 5.867-6.296	6.00-12.00 152.4-304.8	\$121	\$101	\$94	\$91	\$82	3/4 x 2-3/4 19.05 x 70	A
.2130-.2479 5.867-6.296	12.01-22.00 304.8-558.8	\$128	\$108	\$101	\$98	\$88	3/4 x 2-3/4 19.05 x 70	A
.2130-.2479 5.867-6.296	22.01-36.00 558.8-914.4	\$141	\$118	\$108	\$106	\$98	3/4 x 2-3/4 19.05 x 70	A
.2310-.2479 5.867-6.296	36.01-48.00 914.4-1219.2	\$152	\$132	\$118	\$116	\$104	3/4 x 2-3/4 19.05 x 70	A
.2480-.2609 6.299-6.626	6.00-12.00 152.4-304.8	\$121	\$103	\$95	\$93	\$84	3/4 x 2-3/4 19.05 x 70	A
.2480-.2609 6.299-6.626	12.01-22.00 304.8-558.8	\$133	\$111	\$103	\$100	\$90	3/4 x 2-3/4 19.05 x 70	A
.2480-.2609 6.299-6.626	22.01-36.00 558.8-914.4	\$144	\$118	\$112	\$108	\$98	3/4 x 2-3/4 19.05 x 70	A
.2480-.2609 6.299-6.626	36.01-48.00 914.4-1219.2	\$156	\$133	\$122	\$116	\$107	3/4 x 2-3/4 19.05 x 70	A
.2480-.2609 6.299-6.626	48.01-64.00 1219.2-1625.6	\$171	\$145	\$134	\$130	\$121	3/4 x 2-3/4 19.05 x 70	A
.2610-.2779 6.629-7.058	6.00-12.00 152.4-304.8	\$122	\$102	\$94	\$92	\$84	3/4 x 2-3/4 19.05 x 70	A
.2610-.2779 6.629-7.058	12.01-22.00 304.8-558.8	\$132	\$112	\$103	\$98	\$90	3/4 x 2-3/4 19.05 x 70	A
.2610-.2779 6.629-7.058	22.01-36.00 558.8-914.4	\$145	\$121	\$112	\$108	\$98	3/4 x 2-3/4 19.05 x 70	A
.2610-.2779 6.629-7.058	36.01-48.00 914.4-1371.6	\$161	\$136	\$125	\$122	\$110	3/4 x 2-3/4 19.05 x 70	A
.2780-.2879 7.061-7.312	6.00-12.00 152.4-304.8	\$121	\$103	\$95	\$93	\$85	3/4 x 2-3/4 19.05 x 70	A
.2780-.2879 7.061-7.312	12.01-22.00 304.8-558.8	\$133	\$111	\$103	\$100	\$91	3/4 x 2-3/4 19.05 x 70	A
.2780-.2879 7.061-7.312	22.01-36.00 558.8-914.4	\$145	\$121	\$111	\$108	\$98	3/4 x 2-3/4 19.05 x 70	A
.2780-.2879 7.061-7.312	36.01-48.00 914.4-1219.2	\$156	\$132	\$121	\$113	\$107	3/4 x 2-3/4 19.05 x 70	A
.2880-.3000 7.315-7.620	6.00-12.00 152.4-304.8	\$121	\$103	\$95	\$93	\$83	3/4 x 2-3/4 19.05 x 70	A
.2880-.3000 7.315-7.620	12.01-22.00 304.8-558.8	\$132	\$111	\$102	\$99	\$92	3/4 x 2-3/4 19.05 x 70	A
.2880-.3000 7.315-7.620	22.01-36.00 558.8-914.4	\$146	\$123	\$114	\$110	\$99	3/4 x 2-3/4 19.05 x 70	A
.3001-.3259 7.622-8.277	6.00-12.00 152.4-304.8	\$124	\$104	\$96	\$94	\$87	3/4 x 2-3/4 19.05 x 70	A
.3001-.3259 7.622-8.277	12.01-22.00 304.8-558.8	\$133	\$113	\$104	\$102	\$92	3/4 x 2-3/4 19.05 x 70	A
.3001-.3259 7.622-8.277	22.01-36.00 558.8-914.4	\$147	\$123	\$114	\$108	\$98	3/4 x 2-3/4 19.05 x 70	A
.3001-.3259 7.622-8.277	36.01-48.00 914.4-1219.2	\$159	\$132	\$124	\$119	\$108	3/4 x 2-3/4 19.05 x 70	A
.3260-.3409 8.280-8.658	6.00-12.00 152.4-304.8	\$126	\$107	\$98	\$94	\$88	3/4 x 2-3/4 19.05 x 70	A
.3260-.3409 8.280-8.658	12.01-22.00 304.8-558.8	\$136	\$114	\$105	\$103	\$93	3/4 x 2-3/4 19.05 x 70	A
.3260-.3409 8.280-8.658	22.01-36.00 558.8-914.4	\$147	\$123	\$113	\$110	\$102	3/4 x 2-3/4 19.05 x 70	A
.3410-.3569 8.661-9.065	6.00-12.00 152.4-304.8	\$125	\$105	\$99	\$95	\$88	3/4 x 2-3/4 19.05 x 70	A
.3410-.3569 8.661-9.065	12.01-22.00 304.8-558.8	\$136	\$113	\$104	\$102	\$93	3/4 x 2-3/4 19.05 x 70	A



Custom Single Flute Gundrills

Diameter (inches/mm)	Overall (inches/mm)	1 Drill	2-3 Drills	4-5 Drills	6-11 Drills	12-25 Drills	Shank Size (inches/mm)	Shank Type
.3410-.3569 8.661-9.065	22.01-36.00 558.8-914.4	\$149	\$125	\$116	\$113	\$103	3/4 x 2-3/4 19.05 x 70	A
.3410-.3569 8.661-9.065	36.01-48.00 914.4-1219.2	\$160	\$136	\$125	\$110	\$108	3/4 x 2-3/4 19.05 x 70	A
.3570-.3720 9.067-9.448	6.00-12.00 152.4-304.8	\$127	\$107	\$98	\$96	\$88	3/4 x 2-3/4 19.05 x 70	A
.3570-.3720 9.067-9.448	12.01-22.00 304.8-558.8	\$137	\$113	\$106	\$104	\$93	3/4 x 2-3/4 19.05 x 70	A
.3570-.3720 9.067-9.448	22.01-36.00 558.8-914.4	\$149	\$125	\$116	\$113	\$101	3/4 x 2-3/4 19.05 x 70	A
.3721-.3879 9.451-9.852	6.00-12.00 152.4-304.8	\$128	\$108	\$100	\$98	\$88	3/4 x 2-3/4 19.05 x 70	A
.3721-.3879 9.451-9.852	12.01-22.00 304.8-558.8	\$137	\$115	\$108	\$105	\$94	3/4 x 2-3/4 19.05 x 70	A
.3721-.3879 9.451-9.852	22.01-36.00 558.8-914.4	\$151	\$127	\$115	\$114	\$105	3/4 x 2-3/4 19.05 x 70	A
.3721-.3879 9.451-9.852	36.01-54.00 914.4-1371.6	\$168	\$141	\$132	\$129	\$114	3/4 x 2-3/4 19.05 x 70	A
.3880-.4093 9.855-10.259	6.00-12.00 152.4-304.8	\$128	\$108	\$100	\$98	\$88	3/4 x 2-3/4 19.05 x 70	A
.3880-.4093 9.855-10.259	12.01-22.00 304.8-558.8	\$138	\$114	\$108	\$104	\$94	3/4 x 2-3/4 19.05 x 70	A
.3880-.4093 9.855-10.259	22.01-36.00 558.8-914.4	\$151	\$128	\$116	\$113	\$104	3/4 x 2-3/4 19.05 x 70	A
.3880-.4093 9.855-10.259	36.01-48.00 914.4-1219.2	\$158	\$132	\$124	\$118	\$108	3/4 x 2-3/4 19.05 x 70	A
.4040-.4189 10.261-10.64	6.00-12.00 152.4-304.8	\$133	\$108	\$102	\$98	\$90	3/4 x 2-3/4 19.05 x 70	A
.4040-.4189 10.261-10.64	12.01-22.00 304.8-558.8	\$139	\$117	\$108	\$106	\$95	3/4 x 2-3/4 19.05 x 70	A
.4040-.4189 10.261-10.64	22.01-36.00 558.8-914.4	\$153	\$128	\$118	\$115	\$104	3/4 x 2-3/4 19.05 x 70	A
.4040-.4189 10.261-10.64	36.01-48.00 914.4-1219.2	\$159	\$134	\$124	\$121	\$108	3/4 x 2-3/4 19.05 x 70	A
.4190-.4349 10.642-11.046	6.00-12.00 152.4-304.8	\$132	\$108	\$102	\$98	\$90	3/4 x 2-3/4 19.05 x 70	A
.4190-.4349 10.642-11.046	12.01-22.00 304.8-558.8	\$138	\$116	\$108	\$106	\$95	3/4 x 2-3/4 19.05 x 70	A
.4190-.4349 10.642-11.046	22.01-36.00 558.8-914.4	\$155	\$129	\$117	\$114	\$105	3/4 x 2-3/4 19.05 x 70	A
.4350-.4509 11.049-11.452	6.00-12.00 152.4-304.8	\$133	\$109	\$101	\$99	\$91	3/4 x 2-3/4 19.05 x 70	A
.4350-.4509 11.049-11.452	12.01-22.00 304.8-558.8	\$138	\$116	\$108	\$104	\$95	3/4 x 2-3/4 19.05 x 70	A
.4350-.4509 11.049-11.452	22.01-36.00 558.8-914.4	\$152	\$129	\$118	\$116	\$104	3/4 x 2-3/4 19.05 x 70	A
.4350-.4509 11.049-11.452	36.01-48.00 914.4-1219.2	\$158	\$132	\$121	\$118	\$108	3/4 x 2-3/4 19.05 x 70	A
.4350-.4509 11.049-11.452	48.01-64.00 1219.2-1625.6	\$169	\$142	\$131	\$128	\$115	3/4 x 2-3/4 19.05 x 70	A
.4350-.4509 11.049-11.452	64.01-72.00 1625.6-1828.8	\$175	\$147	\$136	\$133	\$121	3/4 x 2-3/4 19.05 x 70	A
.4510-.4659 11.455-11.833	6.00-12.00 152.4-304.8	\$132	\$113	\$104	\$99	\$90	3/4 x 2-3/4 19.05 x 70	A
.4510-.4659 11.455-11.833	12.01-22.00 304.8-558.8	\$139	\$118	\$108	\$106	\$95	3/4 x 2-3/4 19.05 x 70	A
.4510-.4659 11.455-11.833	22.01-36.00 558.8-914.4	\$151	\$129	\$117	\$115	\$104	3/4 x 2-3/4 19.05 x 70	A
.4510-.4659 11.455-11.833	36.01-48.00 914.4-1219.2	\$161	\$136	\$125	\$123	\$111	3/4 x 2-3/4 19.05 x 70	A
.4660-.4829 11.836-12.265	6.00-12.00 152.4-304.8	\$133	\$113	\$104	\$102	\$92	3/4 x 2-3/4 19.05 x 70	A
.4660-.4829 11.836-12.265	12.01-22.00 304.8-558.8	\$141	\$116	\$108	\$106	\$95	3/4 x 2-3/4 19.05 x 70	A

Diameter (inches/mm)	Overall (inches/mm)	1 Drill	2-3 Drills	4-5 Drills	6-11 Drills	12-25 Drills	Shank Size (inches/mm)	Shank Type
.4660-.4829 11.836-12.265	22.01-36.00 558.8-914.4	\$152	\$129	\$118	\$115	\$104	3/4 x 2-3/4 19.05 x 70	A
.4660-.4829 11.836-12.265	36.01-48.00 914.4-1219.2	\$163	\$137	\$126	\$124	\$111	3/4 x 2-3/4 19.05 x 70	A
.4830-.4979 12.268-12.646	6.00-12.00 152.4-304.8	\$133	\$113	\$106	\$101	\$91	3/4 x 2-3/4 19.05 x 70	A
.4830-.4979 12.268-12.646	12.01-22.00 304.8-558.8	\$141	\$119	\$111	\$108	\$98	3/4 x 2-3/4 19.05 x 70	A
.4830-.4979 12.268-12.646	22.01-36.00 558.8-914.4	\$152	\$129	\$117	\$114	\$104	3/4 x 2-3/4 19.05 x 70	A
.4980-.5079 12.649-12.9	6.00-12.00 152.4-304.8	\$136	\$113	\$105	\$104	\$93	3/4 x 2-3/4 19.05 x 70	A
.4980-.5079 12.649-12.9	12.01-22.00 304.8-558.8	\$143	\$119	\$111	\$107	\$98	3/4 x 2-3/4 19.05 x 70	A
.4980-.5079 12.649-12.9	22.01-36.00 558.8-914.4	\$156	\$133	\$119	\$115	\$104	3/4 x 2-3/4 19.05 x 70	A
.4980-.5079 12.649-12.9	36.01-48.00 914.4-1219.2	\$156	\$133	\$119	\$117	\$106	3/4 x 2-3/4 19.05 x 70	A
.5080-.5239 12.903-13.307	6.00-16.00 152.4-406.4	\$137	\$114	\$107	\$105	\$94	1 x 2-3/4 25.40 x 70	A
.5080-.5239 12.903-13.307	16.01-22.00 406.4-558.8	\$146	\$124	\$113	\$108	\$100	1 x 2-3/4 25.40 x 70	A
.5080-.5239 12.903-13.307	22.01-36.00 558.8-914.4	\$156	\$133	\$122	\$118	\$107	1 x 2-3/4 25.40 x 70	A
.5080-.5239 12.903-13.307	36.01-48.00 914.4-1219.2	\$160	\$133	\$122	\$118	\$108	1 x 2-3/4 25.40 x 70	A
.5240-.5409 13.309-13.738	6.00-16.00 152.4-406.4	\$138	\$114	\$107	\$105	\$94	1 x 2-3/4 25.40 x 70	A
.5240-.5409 13.309-13.738	16.01-22.00 406.4-558.8	\$145	\$124	\$114	\$111	\$100	1 x 2-3/4 25.40 x 70	A
.5240-.5409 13.309-13.738	22.01-36.00 558.8-914.4	\$155	\$132	\$121	\$118	\$107	1 x 2-3/4 25.40 x 70	A
.5240-.5409 13.309-13.738	36.01-48.00 914.4-1219.2	\$159	\$134	\$124	\$118	\$108	1 x 2-3/4 25.40 x 70	A
.5410-.5549 13.741-14.094	6.00-16.00 152.4-406.4	\$140	\$117	\$109	\$107	\$96	1 x 2-3/4 25.40 x 70	A
.5410-.5549 13.741-14.094	16.01-22.00 406.4-558.8	\$148	\$126	\$115	\$113	\$101	1 x 2-3/4 25.40 x 70	A
.5410-.5549 13.741-14.094	22.01-36.00 558.8-914.4	\$162	\$136	\$125	\$121	\$110	1 x 2-3/4 25.40 x 70	A
.5550-.5719 14.097-14.526	6.00-16.00 152.4-406.4	\$140	\$118	\$111	\$108	\$98	1 x 2-3/4 25.40 x 70	A
.5550-.5719 14.097-14.526	16.01-22.00 406.4-558.8	\$151	\$126	\$115	\$114	\$104	1 x 2-3/4 25.40 x 70	A
.5550-.5719 14.097-14.526	22.01-36.00 558.8-914.4	\$163	\$137	\$126	\$124	\$110	1 x 2-3/4 25.40 x 70	A
.5550-.5719 14.097-14.526	36.01-48.00 914.4-1219.2	\$171	\$146	\$137	\$133	\$117	1 x 2-3/4 25.40 x 70	A
.5550-.5719 14.097-14.526	48.01-64.00 1219.2-1625.6	\$236	\$197	\$182	\$177	\$159	1 x 2-3/4 25.40 x 70	A
.5550-.5719 14.097-14.526	64.01-72.00 1625.6-1828.8	\$246	\$205	\$190	\$184	\$166	1 x 2-3/4 25.40 x 70	A
.5720-.5919 14.528-15.034	6.00-16.00 152.4-406.4	\$145	\$119	\$113	\$108	\$98	1 x 2-3/4 25.40 x 70	A
.5720-.5919 14.528-15.034	16.01-22.00 406.4-558.8	\$151	\$128	\$115	\$108	\$97	1 x 2-3/4 25.40 x 70	A
.5720-.5919 14.528-15.034	22.01-36.00 558.8-914.4	\$156	\$137	\$126	\$123	\$112	1 x 2-3/4 25.40 x 70	A
.5920-.6039 15.036-15.339	6.00-16.00 152.4-406.4	\$145	\$122	\$114	\$112	\$100	1 x 2-3/4 25.40 x 70	A
.5920-.6039 15.036-15.339	16.01-22.00 406.4-558.8	\$155	\$131	\$121	\$114	\$99	1 x 2-3/4 25.40 x 70	A
.5920-.6039 15.036-15.339	22.01-36.00 558.8-914.4	\$164	\$139	\$131	\$125	\$111	1 x 2-3/4 25.40 x 70	A

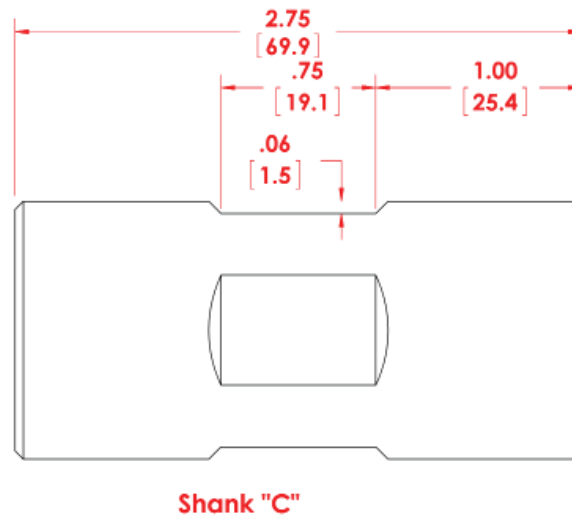
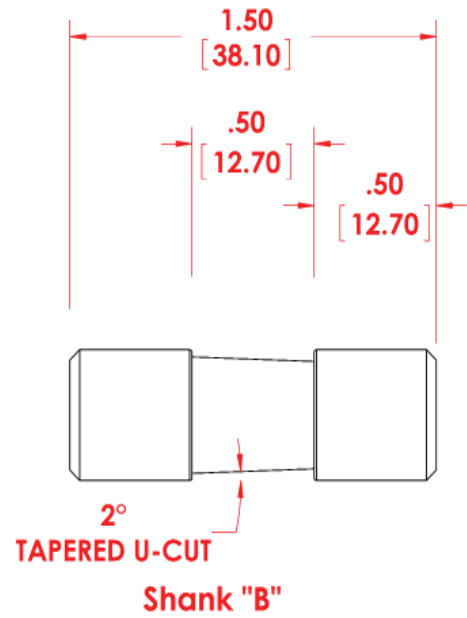
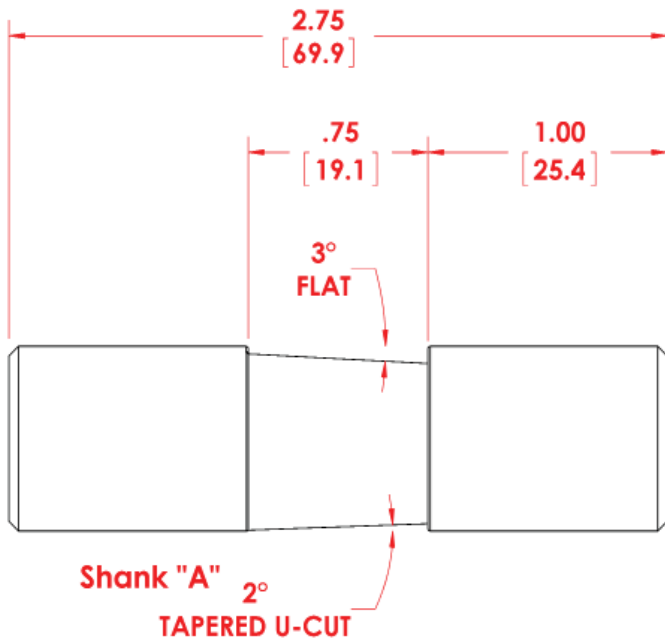


Custom Single Flute Gundrills

Diameter (inches/mm)	Overall (inches/mm)	1 Drill	2-3 Drills	4-5 Drills	6-11 Drills	12-25 Drills	Shank Size (inches/mm)	Shank Type
.9190-9329 23.342-23.695	22.01-36.00 558.8-914.4	\$228	\$195	\$177	\$175	\$157	1-1/4 x 2-3/4 31.75 x 70	A
.9190-9329 23.342-23.695	36.01-48.00 914.4-1219.2	\$286	\$243	\$221	\$216	\$199	1-1/4 x 2-3/4 31.75 x 70	A
.9190-9329 23.342-23.695	48.01-64.00 1219.2-1625.6	\$382	\$318	\$294	\$287	\$134	1-1/4 x 2-3/4 31.75 x 70	A
.9190-9329 23.342-23.695	64.01-72.00 1625.6-1828.8	\$397	\$331	\$305	\$298	\$267	1-1/4 x 2-3/4 31.75 x 70	A
.9330-9509 23.698-24.152	8.00-22.00 203.2-558.8	\$218	\$182	\$169	\$165	\$149	1-1/4 x 2-3/4 31.75 x 70	A
.9330-9509 23.698-24.152	22.01-36.00 558.8-914.4	\$235	\$197	\$181	\$172	\$160	1-1/4 x 2-3/4 31.75 x 70	A
.9330-9509 23.698-24.152	36.01-48.00 914.4-1219.2	\$283	\$237	\$219	\$213	\$192	1-1/4 x 2-3/4 31.75 x 70	A
.9510-9619 24.155-24.432	8.00-22.00 203.2-558.8	\$233	\$196	\$180	\$172	\$160	1-1/4 x 2-3/4 31.75 x 70	A
.9510-9619 24.155-24.432	22.01-36.00 558.8-914.4	\$247	\$209	\$195	\$191	\$170	1-1/4 x 2-3/4 31.75 x 70	A
.9620-9819 24.434-24.94	8.00-22.00 203.2-558.8	\$233	\$195	\$188	\$175	\$155	1-1/4 x 2-3/4 31.75 x 70	A
.9620-9819 24.434-24.94	22.01-36.00 558.8-914.4	\$253	\$207	\$194	\$187	\$166	1-1/4 x 2-3/4 31.75 x 70	A
.9820-9979 24.942-25.346	8.00-22.00 203.2-558.8	\$235	\$201	\$185	\$180	\$162	1-1/4 x 2-3/4 31.75 x 70	A
.9820-9979 24.942-25.346	22.01-36.00 558.8-914.4	\$248	\$208	\$193	\$186	\$170	1-1/4 x 2-3/4 31.75 x 70	A
.9980-1.0579 25.349-1.47	8.00-22.00 203.2-558.8	\$244	\$203	\$187	\$182	\$165	1-1/4 x 2-3/4 31.75 x 70	A
.9980-1.0579 25.349-1.47	22.01-36.00 558.8-914.4	\$254	\$211	\$201	\$193	\$172	1-1/4 x 2-3/4 31.75 x 70	A
.9980-1.0579 25.349-1.47	36.01-48.00 914.4-1219.2	\$288	\$238	\$221	\$211	\$193	1-1/4 x 2-3/4 31.75 x 70	A
1.0580-1.0999 26.873-27.937	8.00-22.00 203.2-558.8	\$283	\$238	\$216	\$212	\$191	1-1/2 x 2-3/4 31.75 x 70	C
1.0580-1.0999 26.873-27.937	22.01-36.00 558.8-914.4	\$309	\$259	\$238	\$228	\$207	1-1/2 x 2-3/4 31.75 x 70	C
1.0580-1.0999 26.873-27.937	36.01-48.00 914.4-1219.2	\$336	\$279	\$262	\$254	\$228	1-1/2 x 2-3/4 31.75 x 70	C
1.1000-1.1729 27.94-29.791	8.00-22.00 203.2-558.8	\$301	\$259	\$234	\$228	\$204	1-3/4 x 2-3/4 31.75 x 70	C
1.1000-1.1729 27.94-29.791	22.01-36.00 558.8-914.4	\$319	\$265	\$243	\$237	\$205	1-3/4 x 2-3/4 31.75 x 70	C
1.1000-1.1729 27.94-29.791	36.01-48.00 914.4-1219.2	\$323	\$276	\$259	\$248	\$221	1-3/4 x 2-3/4 31.75 x 70	C
1.1730-1.2239 29.794-31.087	8.00-22.00 203.2-558.8	\$331	\$278	\$259	\$254	\$226	1-3/4 x 2-3/4 31.75 x 70	C
1.1730-1.2239 29.794-31.087	22.01-36.00 558.8-914.4	\$348	\$294	\$272	\$265	\$234	1-3/4 x 2-3/4 31.75 x 70	C
1.1730-1.2239 29.794-31.087	36.01-48.00 914.4-1219.2	\$400	\$335	\$306	\$296	\$267	1-3/4 x 2-3/4 31.75 x 70	C
1.2240-1.2769 31.089-32.433	8.00-22.00 203.2-558.8	\$376	\$314	\$289	\$283	\$252	1-3/4 x 2-3/4 31.75 x 70	C
1.2240-1.2769 31.089-32.433	22.01-36.00 558.8-914.4	\$388	\$324	\$302	\$294	\$265	1-3/4 x 2-3/4 31.75 x 70	C
1.2240-1.2769 31.089-32.433	36.01-48.00 914.4-1219.2	\$407	\$342	\$314	\$304	\$273	1-3/4 x 2-3/4 31.75 x 70	C
1.2770-1.3689 32.435-34.77	8.00-22.00 203.2-558.8	\$408	\$341	\$315	\$307	\$275	2 x 2-3/4 50.80 x 70	C
1.2770-1.3689 32.435-34.77	22.01-36.00 558.8-914.4	\$439	\$367	\$336	\$331	\$296	2 x 2-3/4 50.80 x 70	C
1.2770-1.3689 32.435-34.77	36.01-48.00 914.4-1219.2	\$460	\$387	\$356	\$347	\$318	2 x 2-3/4 50.80 x 70	C
1.3690-1.4949 34.772-37.97	8.00-22.00 203.2-558.8	\$454	\$381	\$348	\$341	\$304	2 x 2-3/4 50.80 x 70	C

Diameter (inches/mm)	Overall (inches/mm)	1 Drill	2-3 Drills	4-5 Drills	6-11 Drills	12-25 Drills	Shank Size (inches/mm)	Shank Type
1.3690-1.4949 34.772-37.97	22.01-36.00 558.8-914.4	\$489	\$407	\$376	\$366	\$324	2 x 2-3/4 50.80 x 70	C
1.3690-1.4949 34.772-37.97	36.01-48.00 914.4-1219.2	\$507	\$424	\$396	\$386	\$345	2 x 2-3/4 50.80 x 70	C
1.4950-1.5080 37.973-38.303	8.00-22.00 203.2-558.8	\$497	\$414	\$383	\$373	\$334	2 x 2-3/4 50.80 x 70	C
1.4950-1.5080 37.973-38.303	22.01-36.00 558.8-914.4	\$528	\$441	\$406	\$397	\$354	2 x 2-3/4 50.80 x 70	C
1.4950-1.5080 37.973-38.303	36.01-48.00 914.4-1219.2	\$553	\$461	\$426	\$415	\$371	2 x 2-3/4 50.80 x 70	C

Single Flute Gundrill Standard Drivers



NOTE:
Inch
[Metric]



Star SU LLC
5200 Prairie Stone Parkway,
Suite 100
Hoffman Estates, IL 60192
Tel.: 847 649 1450
Fax: 847 649 0112
e-mail: sales@star-su.com
web: www.star-su.com

Star Cutter Company
23461 Industrial Park Drive
Farmington Hills, MI 48335
Tel.: 248 474 8200
Fax: 248 474 9518
e-mail: sales@starcutter.com
web: www.starcutter.com

