



## Single Flute Gundrill Stock List



Same day shipping.  
Technical support available.  
Be sure to ask about our 72-hour custom gundrills.

Call **877-635-3488** for availability



# Single Flute Gundrill Stock

Diameter (inches/mm)	Overall (inches/mm)	1-3 Drills	4-5 Drills	6-11 Drills	12-25 Drills	Shank Size (inches/mm)	Shank Type
0.0781 (1.984)	6 (152)	\$91	\$91	\$91	\$91	1/2 x 1-1/2 (12.7 - 38.1)	B
0.0781 (1.984)	10 (254)	\$125	\$125	\$125	\$125	1/2 x 1-1/2 (12.7 - 38.1)	B
0.0820 (2.083)	6 (152)	\$100	\$100	\$100	\$100	1/2 x 1-1/2 (12.7 - 38.1)	B
0.0820 (2.083)	10 (254)	\$125	\$125	\$125	\$125	1/2 x 1-1/2 (12.7 - 38.1)	B
0.0860 (2.184)	6 (152)	\$100	\$100	\$100	\$100	1/2 x 1-1/2 (12.7 - 38.1)	B
0.0860 (2.184)	10 (254)					1/2 x 1-1/2 (12.7 - 38.1)	B
0.0937 (2.380)	6 (152)	\$105	\$105	\$105	\$105	1/2 x 1-1/2 (12.7 - 38.1)	B
0.0937 (2.380)	10 (254)	\$132	\$132	\$132	\$132	1/2 x 1-1/2 (12.7 - 38.1)	B
0.0937 (2.380)	16 (406)	\$105	\$100	\$92	\$85	1/2 x 1-1/2 (12.7 - 38.1)	B
0.0984 (2.499)	6 (152)	\$105	\$105	\$105	\$105	1/2 x 1-1/2 (12.7 - 38.1)	B
0.0984 (2.499)	10 (254)	\$132	\$132	\$132	\$132	1/2 x 1-1/2 (12.7 - 38.1)	B
0.0995 (2.527)	6 (152)	\$105	\$105	\$105	\$105	1/2 x 1-1/2 (12.7 - 38.1)	B
0.0995 (2.527)	10 (254)	\$132	\$132	\$132	\$132	1/2 x 1-1/2 (12.7 - 38.1)	B
0.1094 (2.779)	6 (152)	\$105	\$105	\$105	\$105	1/2 x 1-1/2 (12.7 - 38.1)	B
0.1094 (2.779)	10 (254)	\$132	\$132	\$132	\$132	1/2 x 1-1/2 (12.7 - 38.1)	B
0.1250 (3.175)	10 (254)	\$73.13	\$66.95	\$62.83	\$57.68	3/4 x 2-3/4 (19.05 - 70)	B
0.1250 (3.175)	16 (406)	\$79.31	\$72.10	\$66.95	\$60.77	3/4 x 2-3/4 (19.05 - 70)	B
0.1285 (3.264)	10 (254)	\$75.19	\$71.07	\$64.89	\$57.68	3/4 x 2-3/4 (19.05 - 70)	B
0.1285 (3.264)	16 (406)	\$81.37	\$75.19	\$69.01	\$61.80	3/4 x 2-3/4 (19.05 - 70)	B
0.1285 (3.264)	22 (559)	\$87.55	\$82.40	\$75.19	\$67.98	3/4 x 2-3/4 (19.05 - 70)	B
0.1285 (3.264)	28 (711)	\$89.61	\$85.49	\$77.25	\$69.01	3/4 x 2-3/4 (19.05 - 70)	B
0.1360 (3.454)	10 (254)	\$77.25	\$73.13	\$65.92	\$58.71	3/4 x 2-3/4 (19.05 - 70)	A
0.1360 (3.454)	16 (406)	\$83.43	\$76.22	\$69.01	\$62.83	3/4 x 2-3/4 (19.05 - 70)	A
0.1360 (3.454)	22 (559)	\$89.61	\$83.43	\$76.22	\$67.98	3/4 x 2-3/4 (19.05 - 70)	A
0.1406 (3.571)	10 (254)	\$75.19	\$69.01	\$62.83	\$56.65	3/4 x 2-3/4 (19.05 - 70)	A
0.1406 (3.571)	16 (406)	\$79.31	\$75.19	\$67.98	\$60.77	3/4 x 2-3/4 (19.05 - 70)	A
0.1406 (3.571)	22 (559)	\$85.49	\$79.31	\$73.13	\$64.89	3/4 x 2-3/4 (19.05 - 70)	A
0.1470 (3.734)	10 (254)	\$76.22	\$70.04	\$63.86	\$57.68	3/4 x 2-3/4 (19.05 - 70)	A
0.1470 (3.734)	16 (406)	\$79.31	\$75.19	\$67.98	\$60.77	3/4 x 2-3/4 (19.05 - 70)	A
0.1470 (3.734)	22 (559)	\$86.52	\$79.31	\$73.13	\$64.89	3/4 x 2-3/4 (19.05 - 70)	A
0.1495 (3.797)	10 (254)	\$75.19	\$70.04	\$62.83	\$56.65	3/4 x 2-3/4 (19.05 - 70)	A
0.1495 (3.797)	16 (406)	\$80.34	\$75.19	\$69.01	\$60.77	3/4 x 2-3/4 (19.05 - 70)	A

Diameter (inches/mm)	Overall (inches/mm)	1-3 Drills	4-5 Drills	6-11 Drills	12-25 Drills	Shank Size (inches/mm)	Shank Type
0.1562 (3.967)	10 (254)	\$73.13	\$66.95	\$61.80	\$56.65	3/4 x 2-3/4 (19.05 - 70)	A
0.1562 (3.967)	16 (406)	\$75.19	\$71.07	\$64.89	\$57.68	3/4 x 2-3/4 (19.05 - 70)	A
0.1562 (3.967)	22 (559)	\$81.37	\$77.25	\$69.01	\$62.83	3/4 x 2-3/4 (19.05 - 70)	A
0.1562 (3.967)	28 (711)	\$86.52	\$79.31	\$73.13	\$66.95	3/4 x 2-3/4 (19.05 - 70)	A
0.1562 (3.967)	36 (914)	\$90.64	\$84.46	\$77.25	\$67.98	3/4 x 2-3/4 (19.05 - 70)	A
0.1575 (4.000)	10 (254)	\$73.13	\$67.98	\$62.83	\$56.65	3/4 x 2-3/4 (19.05 - 70)	A
0.1575 (4.000)	16 (406)	\$77.25	\$73.13	\$66.95	\$58.71	3/4 x 2-3/4 (19.05 - 70)	A
0.1575 (4.000)	22 (559)	\$82.40	\$77.25	\$71.07	\$62.83	3/4 x 2-3/4 (19.05 - 70)	A
0.1590 (4.039)	10 (254)	\$73.13	\$67.98	\$62.83	\$56.65	3/4 x 2-3/4 (19.05 - 70)	A
0.1590 (4.039)	16 (406)	\$77.25	\$73.13	\$66.95	\$58.71	3/4 x 2-3/4 (19.05 - 70)	A
0.1590 (4.039)	22 (559)	\$82.40	\$77.25	\$71.07	\$62.83	3/4 x 2-3/4 (19.05 - 70)	A
0.1610 (4.089)	10 (254)	\$73.13	\$67.98	\$62.83	\$56.65	3/4 x 2-3/4 (19.05 - 70)	A
0.1610 (4.089)	16 (406)	\$77.25	\$72.10	\$66.95	\$58.71	3/4 x 2-3/4 (19.05 - 70)	A
0.1610 (4.089)	22 (559)	\$82.40	\$77.25	\$71.07	\$62.83	3/4 x 2-3/4 (19.05 - 70)	A
0.1660 (4.216)	10 (254)	\$73.13	\$66.95	\$63.86	\$56.65	3/4 x 2-3/4 (19.05 - 70)	A
0.1660 (4.216)	16 (406)	\$77.25	\$73.13	\$66.95	\$58.71	3/4 x 2-3/4 (19.05 - 70)	A
0.1660 (4.216)	22 (559)	\$82.40	\$77.25	\$72.10	\$62.83	3/4 x 2-3/4 (19.05 - 70)	A
0.1719 (4.366)	10 (254)	\$73.13	\$67.98	\$62.83	\$56.65	3/4 x 2-3/4 (19.05 - 70)	A
0.1719 (4.366)	16 (406)	\$77.25	\$72.10	\$66.95	\$58.71	3/4 x 2-3/4 (19.05 - 70)	A
0.1719 (4.366)	22 (559)	\$82.40	\$77.25	\$71.07	\$62.83	3/4 x 2-3/4 (19.05 - 70)	A
0.1770 (4.496)	10 (254)	\$72.10	\$66.95	\$61.80	\$56.65	3/4 x 2-3/4 (19.05 - 70)	A
0.1770 (4.496)	16 (406)	\$77.25	\$71.07	\$64.89	\$58.71	3/4 x 2-3/4 (19.05 - 70)	A
0.1770 (4.496)	22 (559)	\$81.37	\$75.19	\$69.01	\$62.83	3/4 x 2-3/4 (19.05 - 70)	A
0.1800 (4.572)	10 (254)	\$72.10	\$66.95	\$62.83	\$56.65	3/4 x 2-3/4 (19.05 - 70)	A
0.1800 (4.572)	16 (406)	\$77.25	\$71.07	\$64.89	\$57.68	3/4 x 2-3/4 (19.05 - 70)	A
0.1800 (4.572)	22 (559)	\$81.37	\$75.19	\$70.04	\$61.80	3/4 x 2-3/4 (19.05 - 70)	A
0.1850 (4.699)	10 (254)	\$73.13	\$66.95	\$62.83	\$56.65	3/4 x 2-3/4 (19.05 - 70)	A
0.1850 (4.699)	16 (406)	\$77.25	\$71.07	\$64.89	\$58.71	3/4 x 2-3/4 (19.05 - 70)	A
0.1850 (4.699)	22 (559)	\$81.37	\$75.19	\$67.98	\$62.83	3/4 x 2-3/4 (19.05 - 70)	A
0.1875 (4.763)	10 (254)	\$66.95	\$63.86	\$56.65	\$53.56	3/4 x 2-3/4 (19.05 - 70)	A
0.1875 (4.763)	16 (406)	\$73.13	\$66.95	\$62.83	\$56.65	3/4 x 2-3/4 (19.05 - 70)	A
0.1875 (4.763)	22 (559)	\$74.16	\$69.01	\$62.83	\$56.65	3/4 x 2-3/4 (19.05 - 70)	A



# Single Flute Gundrill Stock

Diameter (inches/mm)	Overall (inches/mm)	1-3 Drills	4-5 Drills	6-11 Drills	12-25 Drills	Shank Size (inches/mm)	Shank Type
0.1875 (4.763)	28 (711)	\$83.43	\$77.25	\$71.07	\$63.86	3/4 x 2-3/4 (19.05 - 70)	A
0.1875 (4.763)	10 (914)	\$89.61	\$84.46	\$77.25	\$69.01	1/2 x 1-1/2 (12.7 - 38.1)	A
0.2031 (5.159)	10 (254)	\$67.98	\$62.83	\$56.65	\$52.53	3/4 x 2-3/4 (19.05 - 70)	A
0.2031 (5.159)	16 (406)	\$70.04	\$64.89	\$60.77	\$54.59	3/4 x 2-3/4 (19.05 - 70)	A
0.2031 (5.159)	22 (559)	\$75.19	\$69.01	\$64.89	\$56.65	3/4 x 2-3/4 (19.05 - 70)	A
0.2031 (5.159)	28 (711)	\$82.40	\$77.25	\$70.04	\$62.83	3/4 x 2-3/4 (19.05 - 70)	A
0.2031 (5.159)	36 (914)	\$87.55	\$83.43	\$75.19	\$67.98	3/4 x 2-3/4 (19.05 - 70)	A
0.2130 (5.410)	10 (254)	\$66.95	\$62.83	\$56.65	\$52.53	3/4 x 2-3/4 (19.05 - 70)	A
0.2130 (5.410)	16 (406)	\$71.07	\$66.95	\$61.80	\$54.59	3/4 x 2-3/4 (19.05 - 70)	A
0.2130 (5.410)	22 (559)	\$77.25	\$73.13	\$66.95	\$59.74	3/4 x 2-3/4 (19.05 - 70)	A
0.2130 (5.410)	28 (711)	\$79.31	\$75.19	\$70.04	\$61.80	3/4 x 2-3/4 (19.05 - 70)	A
0.2130 (5.410)	36 (914)	\$81.37	\$77.25	\$73.13	\$63.86	3/4 x 2-3/4 (19.05 - 70)	A
0.2187 (5.555)	10 (559)	\$66.95	\$62.83	\$56.65	\$51.50	3/4 x 2-3/4 (19.05 - 70)	A
0.2187 (5.555)	16 (254)	\$67.98	\$64.89	\$58.71	\$53.56	3/4 x 2-3/4 (19.05 - 70)	A
0.2187 (5.555)	22 (559)	\$73.13	\$66.95	\$63.86	\$56.65	3/4 x 2-3/4 (19.05 - 70)	A
0.2187 (5.555)	28 (711)	\$79.31	\$75.19	\$67.98	\$60.77	3/4 x 2-3/4 (19.05 - 70)	A
0.2187 (5.555)	36 (914)	\$85.49	\$79.31	\$74.16	\$66.95	3/4 x 2-3/4 (19.05 - 70)	A
0.2210 (5.613)	10 (254)	\$66.95	\$64.89	\$58.71	\$52.53	3/4 x 2-3/4 (19.05 - 70)	A
0.2210 (5.613)	16 (406)	\$70.04	\$66.95	\$60.77	\$54.59	3/4 x 2-3/4 (19.05 - 70)	A
0.2344 (5.954)	10 (254)	\$66.95	\$62.83	\$56.65	\$51.50	3/4 x 2-3/4 (19.05 - 70)	A
0.2344 (5.954)	16 (406)	\$66.95	\$64.89	\$58.71	\$52.53	3/4 x 2-3/4 (19.05 - 70)	A
0.2344 (5.954)	22 (559)	\$73.13	\$66.95	\$62.83	\$56.65	3/4 x 2-3/4 (19.05 - 70)	A
0.2344 (5.954)	28 (711)	\$77.25	\$73.13	\$66.95	\$60.77	3/4 x 2-3/4 (19.05 - 70)	A
0.2344 (5.954)	36 (914)	\$84.46	\$77.25	\$73.13	\$64.89	3/4 x 2-3/4 (19.05 - 70)	A
0.2362 (6.000)	10 (254)	\$66.95	\$62.83	\$57.68	\$51.50	3/4 x 2-3/4 (19.05 - 70)	A
0.2362 (6.000)	16 (406)	\$69.01	\$65.92	\$58.71	\$54.59	3/4 x 2-3/4 (19.05 - 70)	A
0.2362 (6.000)	22 (559)	\$74.16	\$70.04	\$62.83	\$56.65	3/4 x 2-3/4 (19.05 - 70)	A
0.2500 (6.350)	10 (254)	\$64.89	\$60.77	\$56.65	\$50.47	3/4 x 2-3/4 (19.05 - 70)	A
0.2500 (6.350)	16 (406)	\$67.98	\$62.83	\$56.65	\$52.53	3/4 x 2-3/4 (19.05 - 70)	A
0.2500 (6.350)	22 (559)	\$72.10	\$66.95	\$61.80	\$54.59	3/4 x 2-3/4 (19.05 - 70)	A
0.2500 (6.350)	28 (711)	\$77.25	\$73.13	\$66.95	\$58.71	3/4 x 2-3/4 (19.05 - 70)	A
0.2500 (6.350)	36 (914)	\$83.43	\$77.25	\$71.07	\$64.89	3/4 x 2-3/4 (19.05 - 70)	A

Diameter (inches/mm)	Overall (inches/mm)	1-3 Drills	4-5 Drills	6-11 Drills	12-25 Drills	Shank Size (inches/mm)	Shank Type
0.2500 (6.350)	48 (1219)	\$93.73	\$87.55	\$81.37	\$72.10	3/4 x 2-3/4 (19.05 - 70)	A
0.2570 (6.528)	10 (254)	\$66.95	\$61.80	\$56.65	\$51.50	3/4 x 2-3/4 (19.05 - 70)	A
0.2570 (6.528)	16 (406)	\$69.01	\$67.98	\$59.74	\$53.65	3/4 x 2-3/4 (19.05 - 70)	A
0.2570 (6.528)	22 (559)	\$72.10	\$67.98	\$60.77	\$56.65	3/4 x 2-3/4 (19.05 - 70)	A
0.2656 (6.746)	10 (254)	\$66.95	\$62.83	\$56.65	\$51.50	3/4 x 2-3/4 (19.05 - 70)	A
0.2656 (6.746)	16 (254)	\$67.98	\$64.89	\$58.71	\$52.53	3/4 x 2-3/4 (19.05 - 70)	A
0.2656 (6.746)	22 (559)	\$72.10	\$66.95	\$62.83	\$56.65	3/4 x 2-3/4 (19.05 - 70)	A
0.2656 (6.746)	28 (711)	\$77.25	\$73.13	\$66.95	\$59.74	3/4 x 2-3/4 (19.05 - 70)	A
0.2656 (6.746)	36 (914)	\$83.43	\$77.25	\$71.07	\$63.86	3/4 x 2-3/4 (19.05 - 70)	A
0.2812 (7.142)	10 (711)	\$67.98	\$62.83	\$57.68	\$52.53	3/4 x 2-3/4 (19.05 - 70)	A
0.2812 (7.142)	16 (254)	\$70.04	\$64.89	\$60.77	\$54.59	3/4 x 2-3/4 (19.05 - 70)	A
0.2812 (7.142)	22 (559)	\$73.13	\$66.95	\$62.83	\$56.65	3/4 x 2-3/4 (19.05 - 70)	A
0.2812 (7.142)	28 (711)	\$77.25	\$74.16	\$66.95	\$61.80	3/4 x 2-3/4 (19.05 - 70)	A
0.2812 (7.142)	36 (914)	\$83.43	\$77.25	\$72.10	\$64.89	3/4 x 2-3/4 (19.05 - 70)	A
0.2812 (7.142)	48 (1219)	\$95.79	\$88.58	\$82.40	\$74.16	3/4 x 2-3/4 (19.05 - 70)	A
0.2969 (7.541)	10 (254)	\$66.95	\$62.83	\$56.65	\$53.56	3/4 x 2-3/4 (19.05 - 70)	A
0.2969 (7.541)	16 (406)	\$66.95	\$63.86	\$57.68	\$55.62	3/4 x 2-3/4 (19.05 - 70)	A
0.2969 (7.541)	22 (559)	\$72.10	\$66.95	\$62.83	\$55.65	3/4 x 2-3/4 (19.05 - 70)	A
0.2969 (7.541)	28 (711)	\$77.25	\$72.10	\$66.95	\$60.77	3/4 x 2-3/4 (19.05 - 70)	A
0.2969 (7.541)	36 (914)	\$82.40	\$77.25	\$70.04	\$64.89	3/4 x 2-3/4 (19.05 - 70)	A
0.3125 (7.938)	10 (559)	\$70.04	\$66.95	\$60.77	\$53.56	3/4 x 2-3/4 (19.05 - 70)	A
0.3125 (7.938)	16 (254)	\$72.10	\$66.95	\$61.80	\$56.65	3/4 x 2-3/4 (19.05 - 70)	A
0.3125 (7.938)	22 (406)	\$75.19	\$69.01	\$63.86	\$56.65	3/4 x 2-3/4 (19.05 - 70)	A
0.3125 (7.938)	28 (559)	\$79.31	\$73.13	\$66.95	\$61.80	3/4 x 2-3/4 (19.05 - 70)	A
0.3125 (7.938)	36 (914)	\$84.46	\$78.28	\$73.13	\$64.89	3/4 x 2-3/4 (19.05 - 70)	A
0.3125 (7.938)	48 (1219)	\$96.82	\$88.58	\$82.40	\$74.16	3/4 x 2-3/4 (19.05 - 70)	A
0.3150 (8.000)	10 (254)	\$70.04	\$66.95	\$60.77	\$53.56	3/4 x 2-3/4 (19.05 - 70)	A
0.3150 (8.000)	16 (406)	\$72.10	\$66.95	\$61.80	\$56.65	3/4 x 2-3/4 (19.05 - 70)	A
0.3150 (8.000)	22 (559)	\$75.19	\$69.01	\$63.86	\$56.65	3/4 x 2-3/4 (19.05 - 70)	A
0.3150 (8.000)	36 (914)	\$84.46	\$79.31	\$72.10	\$64.89	3/4 x 2-3/4 (19.05 - 70)	A
0.3281 (8.334)	10 (254)	\$71.07	\$66.95	\$60.77	\$54.59	3/4 x 2-3/4 (19.05 - 70)	A
0.3281 (8.334)	16 (406)	\$72.10	\$66.95	\$62.83	\$56.65	3/4 x 2-3/4 (19.05 - 70)	A



# Single Flute Gundrill Stock

Diameter (inches/mm)	Overall (inches/mm)	1-3 Drills	4-5 Drills	6-11 Drills	12-25 Drills	Shank Size (inches/mm)	Shank Type
0.3281 (8.334)	22 (559)	\$77.25	\$72.10	\$64.89	\$58.71	3/4 x 2-3/4 (19.05 - 70)	A
0.3281 (8.334)	28 (711)	\$80.34	\$75.19	\$67.98	\$61.80	3/4 x 2-3/4 (19.05 - 70)	A
0.3281 (8.334)	36 (914)	\$84.46	\$79.31	\$73.13	\$64.89	3/4 x 2-3/4 (19.05 - 70)	A
0.3437 (8.730)	10 (254)	\$72.10	\$66.95	\$61.80	\$56.65	3/4 x 2-3/4 (19.05 - 70)	A
0.3437 (8.730)	16 (406)	\$74.16	\$67.98	\$62.83	\$56.65	3/4 x 2-3/4 (19.05 - 70)	A
0.3437 (8.730)	22 (559)	\$77.25	\$72.10	\$66.95	\$58.71	3/4 x 2-3/4 (19.05 - 70)	A
0.3437 (8.730)	28 (711)	\$81.37	\$75.19	\$67.98	\$61.80	3/4 x 2-3/4 (19.05 - 70)	A
0.3437 (8.730)	36 (914)	\$85.49	\$78.28	\$73.13	\$63.86	3/4 x 2-3/4 (19.05 - 70)	A
0.3437 (8.730)	48 (1219)	\$97.85	\$89.61	\$83.43	\$74.16	3/4 x 2-3/4 (19.05 - 70)	A
0.3543 (9.000)	10 (254)	\$69.01	\$64.89	\$60.77	\$55.62	3/4 x 2-3/4 (19.05 - 70)	A
0.3543 (9.000)	16 (406)	\$72.10	\$66.95	\$62.83	\$56.65	3/4 x 2-3/4 (19.05 - 70)	A
0.3543 (9.000)	22 (559)	\$74.16	\$69.01	\$63.86	\$57.68	3/4 x 2-3/4 (19.05 - 70)	A
0.3594 (9.129)	10 (254)	\$73.13	\$67.98	\$63.86	\$56.65	3/4 x 2-3/4 (19.05 - 70)	A
0.3594 (9.129)	16 (406)	\$75.19	\$70.04	\$64.89	\$57.68	3/4 x 2-3/4 (19.05 - 70)	A
0.3594 (9.129)	22 (559)	\$77.25	\$72.10	\$66.95	\$59.74	3/4 x 2-3/4 (19.05 - 70)	A
0.3594 (9.129)	28 (711)	\$81.37	\$77.25	\$69.01	\$61.80	3/4 x 2-3/4 (19.05 - 70)	A
0.3594 (9.129)	36 (914)	\$85.49	\$79.31	\$73.13	\$66.95	3/4 x 2-3/4 (19.05 - 70)	A
0.3750 (9.525)	10 (254)	\$74.16	\$69.01	\$63.86	\$56.65	3/4 x 2-3/4 (19.05 - 70)	A
0.3750 (9.525)	16 (406)	\$75.19	\$69.01	\$64.89	\$57.68	3/4 x 2-3/4 (19.05 - 70)	A
0.3750 (9.525)	22 (559)	\$81.37	\$75.19	\$67.98	\$62.83	3/4 x 2-3/4 (19.05 - 70)	A
0.3750 (9.525)	28 (711)	\$83.43	\$77.25	\$69.01	\$63.86	3/4 x 2-3/4 (19.05 - 70)	A
0.3750 (9.525)	36 (914)	\$86.52	\$80.34	\$73.13	\$66.95	3/4 x 2-3/4 (19.05 - 70)	A
0.3750 (9.525)	48 (1219)	\$97.85	\$91.67	\$85.49	\$79.31	3/4 x 2-3/4 (19.05 - 70)	A
0.3906 (9.921)	10 (254)	\$76.22	\$71.07	\$64.89	\$58.71	3/4 x 2-3/4 (19.05 - 70)	A
0.3906 (9.921)	16 (406)	\$77.25	\$72.10	\$65.92	\$59.74	3/4 x 2-3/4 (19.05 - 70)	A
0.3906 (9.921)	22 (559)	\$80.34	\$75.19	\$69.01	\$62.83	3/4 x 2-3/4 (19.05 - 70)	A
0.3906 (9.921)	28 (711)	\$82.40	\$77.25	\$72.10	\$64.89	3/4 x 2-3/4 (19.05 - 70)	A
0.3906 (9.921)	36 (914)	\$87.55	\$81.37	\$74.16	\$66.95	3/4 x 2-3/4 (19.05 - 70)	A
0.3906 (9.921)	48 (1219)	\$74.16	\$69.01	\$62.83	\$56.65	3/4 x 2-3/4 (19.05 - 70)	A
0.3937 (10.000)	10 (254)	\$75.19	\$70.04	\$63.86	\$57.68	3/4 x 2-3/4 (19.05 - 70)	A
0.3937 (10.000)	16 (406)	\$77.25	\$72.10	\$66.95	\$58.71	3/4 x 2-3/4 (19.05 - 70)	A
0.3937 (10.000)	22 (559)	\$81.37	\$77.25	\$71.07	\$62.83	3/4 x 2-3/4 (19.05 - 70)	A

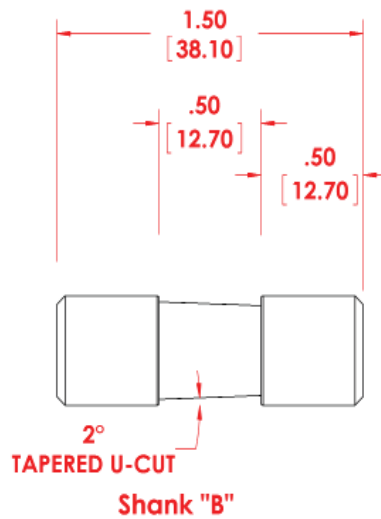
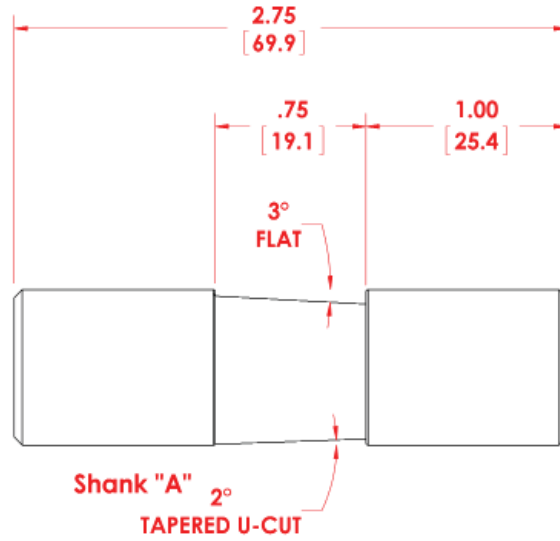
Diameter (inches/mm)	Overall (inches/mm)	1-3 Drills	4-5 Drills	6-11 Drills	12-25 Drills	Shank Size (inches/mm)	Shank Type
0.3937 (10.000)	28 (711)	\$83.43	\$79.31	\$74.16	\$65.95	3/4 x 2-3/4 (19.05 - 70)	A
0.3937 (10.000)	36 (914)	\$87.55	\$81.37	\$75.19	\$66.95	3/4 x 2-3/4 (19.05 - 70)	A
0.3937 (10.000)	48 (1219)	\$98.88	\$93.73	\$84.46	\$77.25	3/4 x 2-3/4 (19.05 - 70)	A
0.4062 (10.317)	10 (254)	\$75.19	\$71.07	\$64.89	\$57.68	3/4 x 2-3/4 (19.05 - 70)	A
0.4062 (10.317)	16 (406)	\$77.25	\$73.13	\$66.95	\$58.71	3/4 x 2-3/4 (19.05 - 70)	A
0.4062 (10.317)	22 (559)	\$81.37	\$77.25	\$71.07	\$62.83	3/4 x 2-3/4 (19.05 - 70)	A
0.4062 (10.317)	28 (711)	\$83.43	\$77.25	\$72.10	\$63.86	3/4 x 2-3/4 (19.05 - 70)	A
0.4062 (10.317)	36 (914)	\$87.55	\$81.37	\$75.19	\$66.95	3/4 x 2-3/4 (19.05 - 70)	A
0.4062 (10.317)	48 (1219)	\$98.88	\$93.73	\$84.46	\$77.25	3/4 x 2-3/4 (19.05 - 70)	A
0.4375 (11.113)	10 (254)	\$77.25	\$72.10	\$64.89	\$58.71	3/4 x 2-3/4 (19.05 - 70)	A
0.4375 (11.113)	16 (406)	\$78.28	\$73.13	\$66.95	\$59.74	3/4 x 2-3/4 (19.05 - 70)	A
0.4375 (11.113)	22 (559)	\$83.43	\$77.25	\$71.07	\$64.89	3/4 x 2-3/4 (19.05 - 70)	A
0.4375 (11.113)	28 (711)	\$84.46	\$78.28	\$73.13	\$64.89	3/4 x 2-3/4 (19.05 - 70)	A
0.4375 (11.113)	36 (914)	\$88.58	\$83.43	\$77.25	\$69.01	3/4 x 2-3/4 (19.05 - 70)	A
0.4375 (11.113)	48 (1219)	\$99.91	\$94.76	\$85.49	\$77.25	3/4 x 2-3/4 (19.05 - 70)	A
0.4531 (11.509)	10 (254)	\$77.25	\$72.10	\$66.95	\$58.71	3/4 x 2-3/4 (19.05 - 70)	A
0.4531 (11.509)	16 (406)	\$78.28	\$74.16	\$66.95	\$60.77	3/4 x 2-3/4 (19.05 - 70)	A
0.4531 (11.509)	22 (559)	\$83.43	\$77.25	\$72.10	\$63.86	3/4 x 2-3/4 (19.05 - 70)	A
0.4531 (11.509)	28 (711)	\$84.46	\$79.31	\$72.10	\$64.89	3/4 x 2-3/4 (19.05 - 70)	A
0.4531 (11.509)	36 (914)	\$89.61	\$84.46	\$77.25	\$70.04	3/4 x 2-3/4 (19.05 - 70)	A
0.4531 (11.509)	48 (1219)	\$99.91	\$94.76	\$87.55	\$77.25	3/4 x 2-3/4 (19.05 - 70)	A
0.4687 (11.905)	10 (254)	\$74.16	\$72.10	\$66.95	\$58.71	3/4 x 2-3/4 (19.05 - 70)	A
0.4687 (11.905)	16 (406)	\$77.25	\$74.16	\$67.98	\$60.77	3/4 x 2-3/4 (19.05 - 70)	A
0.4687 (11.905)	22 (559)	\$84.46	\$78.28	\$72.10	\$63.86	3/4 x 2-3/4 (19.05 - 70)	A
0.4687 (11.905)	28 (711)	\$86.52	\$79.31	\$74.16	\$66.95	3/4 x 2-3/4 (19.05 - 70)	A
0.4687 (11.905)	36 (914)	\$89.61	\$83.43	\$77.25	\$69.01	3/4 x 2-3/4 (19.05 - 70)	A
0.4687 (11.905)	48 (1219)	\$99.91	\$94.76	\$87.55	\$77.25	3/4 x 2-3/4 (19.05 - 70)	A
0.4844 (12.304)	10 (254)	\$77.25	\$73.13	\$66.95	\$63.86	3/4 x 2-3/4 (19.05 - 70)	A
0.4844 (12.304)	16 (406)	\$79.31	\$74.16	\$67.98	\$60.77	3/4 x 2-3/4 (19.05 - 70)	A
0.4844 (12.304)	22 (559)	\$83.43	\$78.28	\$72.10	\$64.89	3/4 x 2-3/4 (19.05 - 70)	A
0.4844 (12.304)	28 (711)	\$87.55	\$81.37	\$74.16	\$66.95	3/4 x 2-3/4 (19.05 - 70)	A
0.4844 (12.304)	36 (914)	\$89.61	\$84.46	\$77.25	\$67.98	3/4 x 2-3/4 (19.05 - 70)	A





# Single Flute Gundrill Standard Drivers

**NOTE:**  
Inch  
[ Metric ]



**Star SU LLC**  
5200 Prairie Stone Parkway,  
Suite 100  
Hoffman Estates, IL 60192  
Tel.: 847 649 1450  
Fax: 847 649 0112  
e-mail: sales@star-su.com  
web: www.star-su.com

**Star Cutter Company**  
23461 Industrial Park Drive  
Farmington Hills, MI 48335  
Tel.: 248 474 8200  
Fax: 248 474 9518  
e-mail: sales@starcutter.com  
web: www.starcutter.com

