

Custom Single Flute Gundrills

72 Hour Shipment



Application specific designs.
72 hour: Design, Build, Ship.
Technical support available.

Call **877-635-3488** for availability

Custom Single Flute Gundrills

72 Hour Shipment



Diameter (inches/mm)	Overall (inches/mm)	1 Drill	2-3 Drills	4-5 Drills	6-11 Drills	12-25 Drills	Shank Size (inches/mm)	Shank Type
.0920-.1070	5.00-10.00	\$172	\$144	\$135	\$132	\$118	1/2 x 1-1/2	B
2.336-2.717	127.0-254.0						12.7 x 38.1	
.0920-.1070	10.01-16.00	\$180	\$156	\$152	\$141	\$123	1/2 x 1-1/2	B
2.336-2.717	254-406.4						12.7 x 38.1	
.1071-.1149	5.00-10.00	\$156	\$136	\$121	\$118	\$110	1/2 x 1-1/2	B
2.720-.9180	127.0-254.0						12.7 x 38.1	
.1071-.1149	10.01-16.00	\$163	\$140	\$128	\$126	\$114	1/2 x 1-1/2	B
2.720-.9180	254-406.4						12.7 x 38.1	
.1071-.1149	16.01-22.00	\$171	\$145	\$135	\$129	\$118	1/2 x 1-1/2	B
2.720-.9180	406.4-558.8						12.7 x 38.1	
.1150-.1229	5.00-10.00	\$156	\$135	\$122	\$119	\$106	1/2 x 1-1/2	B
2.921-3.121	127-254						12.7 x 38.1	
.1150-.1229	10.01-16.00	\$163	\$140	\$126	\$124	\$112	1/2 x 1-1/2	B
2.921-3.121	254-406.4						12.7 x 38.1	
.1150-.1229	16.01-22.00	\$170	\$145	\$132	\$127	\$116	1/2 x 1-1/2	B
2.921-3.121	406.4-558.8						12.7 x 38.1	
.1230-.1359	6.00-12.00	\$118	\$101	\$95	\$91	\$83	3/4 x 2-3/4	A
3.124-3.451	152.4-304.8						19.05 x 70	
.1230-.1359	12.01-22.00	\$126	\$109	\$100	\$97	\$89	3/4 x 2-3/4	A
3.124-3.451	304.8-558.8						19.05 x 70	
.1230-.1359	22.01-28.00	\$134	\$116	\$112	\$110	\$94	3/4 x 2-3/4	A
3.124-3.451	558.8-711.2						19.05 x 70	
.1230-.1359	28.01-36.00	\$129	\$123	\$111	\$103	\$100	3/4 x 2-3/4	A
3.124-3.541	711.2-914.4						19.05 x 70	
.1360-.1529	6.00-12.00	\$119	\$105	\$93	\$91	\$85	3/4 x 2-3/4	A
3.454-3.883	152.4-304.8						19.05 x 70	
.1360-.1529	12.01-22.00	\$128	\$109	\$101	\$100	\$90	3/4 x 2-3/4	A
3.454-3.883	304.8-558.8						19.05 x 70	
.1360-.1529	22.01-28.00	\$137	\$117	\$108	\$106	\$94	3/4 x 2-3/4	A
3.454-3.883	558.8-711.2						19.05 x 70	
.1530-.1679	6.00-12.00	\$119	\$100	\$93	\$90	\$83	3/4 x 2-3/4	A
3.886-4.264	152.4-304.8						19.05 x 70	
.1530-.1679	12.01-22.00	\$128	\$108	\$101	\$99	\$90	3/4 x 2-3/4	A
3.886-4.264	304.8-558.8						19.05 x 70	
.1530-.1679	22.01-36.00	\$145	\$122	\$115	\$111	\$100	3/4 x 2-3/4	A
3.886-4.264	558.8-914.4						19.05 x 70	
.1530-.1679	36.01-48.00	\$160	\$133	\$122	\$121	\$109	3/4 x 2-3/4	A
3.886-4.264	914.4-1219.2						19.05 x 70	
.1680-.1799	6.00-12.00	\$120	\$101	\$94	\$91	\$86	3/4 x 2-3/4	A
4.267-4.569	152.4-304.8						19.05 x 70	
.1680-.1799	12.01-22.00	\$132	\$111	\$101	\$100	\$90	3/4 x 2-3/4	A
4.267-4.569	304.8-558.8						19.05 x 70	
.1680-.1799	22.01-36.00	\$145	\$122	\$115	\$111	\$100	3/4 x 2-3/4	A
4.267-4.569	558.8-914.4						19.05 x 70	
.1680-.1799	36.01-48.00	\$160	\$133	\$125	\$117	\$111	3/4 x 2-3/4	A
4.267-4.569	914.4-1219.2						19.05 x 70	
.1800-.1979	6.00-12.00	\$121	\$101	\$95	\$90	\$83	3/4 x 2-3/4	A
4.572-5.026	152.4-304.8						19.05 x 70	
.1800-.1979	12.01-22.00	\$132	\$111	\$103	\$101	\$92	3/4 x 2-3/4	A
4.572-5.026	304.8-558.5						19.05 x 70	
.1800-.1979	22.01-36.00	\$145	\$122	\$115	\$111	\$101	3/4 x 2-3/4	A
4.572-5.026	558.8-914.4						19.05 x 70	
.1800-.1979	36.01-48.00	\$160	\$134	\$125	\$121	\$110	3/4 x 2-3/4	A
4.572-5.026	914.4-1219.2						19.05 x 70	
.1980-.2129	6.00-12.00	\$124	\$104	\$97	\$94	\$86	3/4 x 2-3/4	A
5.029-5.407	152.4-304.8						19.05 x 70	
.1980-.2129	12.01-22.00	\$132	\$111	\$104	\$100	\$94	3/4 x 2-3/4	A
5.029-5.407	304.8-558.8						19.05 x 70	
.1980-.2129	22.01-36.00	\$150	\$122	\$115	\$111	\$101	3/4 x 2-3/4	A
5.029-5.407	558.8-914.4						19.05 x 70	
.1980-.2129	36.01-48.00	\$161	\$135	\$124	\$121	\$109	3/4 x 2-3/4	A
5.029-5.407	914.4-1219.2						19.05 x 70	
.2130-.2309	6.00-12.00	\$120	\$104	\$95	\$92	\$86	3/4 x 2-3/4	A
5.410-5.864	152.4-304.8						19.05 x 70	

Diameter (inches/mm)	Overall (inches/mm)	1 Drill	2-3 Drills	4-5 Drills	6-11 Drills	12-25 Drills	Shank Size (inches/mm)	Shank Type
.2130-.2309	12.01-22.00	\$130	\$111	\$104	\$101	\$93	3/4 x 2-3/4	A
5.410-5.864	304.8-558.8						19.05 x 70	
.2130-.2309	22.01-36.00	\$146	\$122	\$119	\$111	\$101	3/4 x 2-3/4	A
5.410-5.864	558.8-914.4						19.05 x 70	
.2130-.2309	36.01-48.00	\$159	\$136	\$122	\$119	\$107	3/4 x 2-3/4	A
5.410-5.864	914.4-1219.2						19.05 x 70	
.2130-.2479	6.00-12.00	\$124	\$104	\$97	\$93	\$85	3/4 x 2-3/4	A
5.867-6.296	152.4-304.8						19.05 x 70	
.2130-.2479	12.01-22.00	\$132	\$111	\$104	\$101	\$90	3/4 x 2-3/4	A
5.867-6.296	304.8-558.8						19.05 x 70	
.2130-.2479	22.01-36.00	\$145	\$122	\$111	\$109	\$101	3/4 x 2-3/4	A
5.867-6.296	558.8-914.4						19.05 x 70	
.2310-.2479	36.01-48.00	\$157	\$136	\$122	\$120	\$107	3/4 x 2-3/4	A
5.867-6.296	914.4-1219.2						19.05 x 70	
.2310-.2479	48.01-64.00	\$167	\$146	\$132	\$130	\$117	3/4 x 2-3/4	A
5.867-6.296	1219.2-1625.6						19.05 x 70	
.2480-.2609	64.01-72.00	\$171	\$151	\$137	\$135	\$122	3/4 x 2-3/4	A
6.299-6.626	1625.9-1828.8						19.05 x 70	
.2480-.2609	6.00-12.00	\$124	\$106	\$98	\$95	\$87	3/4 x 2-3/4	A
6.299-6.626	152.4-304.8						19.05 x 70	
.2480-.2609	12.01-22.00	\$137	\$115	\$106	\$103	\$92	3/4 x 2-3/4	A
6.299-6.626	304.8-558.8						19.05 x 70	
.2480-.2609	22.01-36.00	\$149	\$122	\$116	\$111	\$101	3/4 x 2-3/4	A
6.299-6.626	558.8-914.4						19.05 x 70	
.2480-.2609	36.01-48.00	\$160	\$137	\$125	\$120	\$110	3/4 x 2-3/4	A
6.299-6.626	914.4-1371.6						19.05 x 70	
.2480-.2609	48.01-64.00	\$165	\$142	\$130	\$125	\$135	3/4 x 2-3/4	A
6.299-6.626	1219.2-1625.6						19.05 x 70	
.2480-.2609	64.01-72.00	\$176	\$150	\$138	\$134	\$124	3/4 x 2-3/4	A
6.299-6.626	1625.9-1828.8						19.05 x 70	
.2610-.2779	6.00-12.00	\$125	\$105	\$97	\$94	\$87	3/4 x 2-3/4	A
6.629-7.058	152.4-304.8						19.05 x 70	
.2610-.2779	12.01-22.00	\$136	\$116	\$106	\$101	\$92	3/4 x 2-3/4	A
6.629-7.058	304.8-558.8						19.05 x 70	
.2610-.2779	22.01-36.00	\$150	\$124	\$116	\$111	\$101	3/4 x 2-3/4	A
6.629-7.058	558.8-914.4						19.05 x 70	
.2610-.2779	36.01-54.00	\$166	\$140	\$128	\$125	\$114	3/4 x 2-3/4	A
6.629-7.058	914.7-1371.6						19.05 x 70	
.2780-.2879	6.00-12.00	\$124	\$106	\$98	\$95	\$88	3/4 x 2-3/4	A
7.061-7.312	152.4-304.8						19.05 x 70	
.2780-.2879	12.01-22.00	\$137	\$115	\$106	\$103	\$93	3/4 x 2-3/4	A
7.061-7.312	304.8-558.8						19.05 x 70	
.2780-.2879	22.01-36.00	\$150	\$124	\$115	\$111	\$101	3/4 x 2-3/4	A
7.061-7.312	558.8-914.4						19.05 x 70	
.2780-.2879	36.01-48.00	\$160	\$136	\$124	\$117	\$110	3/4 x 2-3/4	A
7.061-7.312	558.8-914.4						19.05 x 70	
.2780-.2879	48.01-64.00	\$165	\$141	\$129	\$122	\$115	3/4 x 2-3/4	A
7.061-7.312	1219.2-1625.6						19.05 x 70	
.2780-.2879	64.01-72.00	\$170	\$146	\$134	\$127	\$120	3/4 x 2-3/4	A
7.061-7.312	1625.9-1828.8						19.05 x 70	
.2880-.3000	6.00-12.00	\$124	\$106	\$98	\$95	\$86	3/4 x 2-3/4	A
7.315-7.620	152.4-304.8						19.05 x 70	
.2880-.3000	12.01-22.00	\$136	\$115	\$105	\$102	\$94	3/4 x 2-3/4	A
7.315-7.620	304.8-558.8						19.05 x 70	
.2880-.3000	22.01-36.00	\$151	\$126	\$118	\$114	\$102	3/4 x 2-3/4	A
7.315-7.620	558.8-914.4						19.05 x 70	
.3001-.3259	6.00-12.00	\$127	\$101	\$99	\$97	\$89	3/4 x 2-3/4	A
7.622-8.277	152.4-304.8						19.05 x 70	
.3001-.3259	12.01-22.00	\$137	\$117	\$107	\$105	\$94	3/4 x 2-3/4	A
7.622-8.277	304.8-558.8						19.05 x 70	
.3001-.3259	22.01-36.00	\$152	\$126	\$118	\$111	\$101	3/4 x 2-3/4	A
7.622-8.277	558.8-914.4						19.05 x 70	
.3001-.3259	36.01-48.00	\$163	\$136	\$127	\$123	\$111	3/4 x 2-3/4	A
7.622-8.277	558.8-914.4						19.05 x 70	

Custom Single Flute Gundrills

72 Hour Shipment



Diameter (inches/mm)	Overall (inches/mm)	1 Drill	2-3 Drills	4-5 Drills	6-11 Drills	12-25 Drills	Shank Size (inches/mm)	Shank Type
.3001-.3259 7.622-8.277	48.01-64.00 1219.2-1625.6	\$168	\$141	\$132	\$128	\$126	3/4 x 2-3/4 19.05 x 70	A
.3001-.3259 7.622-8.277	64.01-72.00 1625.9-1828.8	\$173	\$146	\$137	\$132	\$131	3/4 x 2-3/4 19.05 x 70	A
.3260-.3409 8.280-8.658	6.00-12.00 152.4-304.8	\$129	\$110	\$101	\$97	\$90	3/4 x 2-3/4 19.05 x 70	A
.3260-.3409 8.280-8.658	12.01-22.00 304.8-558.8	\$140	\$118	\$108	\$106	\$95	3/4 x 2-3/4 19.05 x 70	A
.3260-.3409 8.280-8.658	22.01-36.00 558.8-914.4	\$152	\$126	\$117	\$114	\$105	3/4 x 2-3/4 19.05 x 70	A
.3410-.3569 8.667-9.065	6.00-12.00 152.4-304.8	\$128	\$108	\$102	\$98	\$90	3/4 x 2-3/4 19.05 x 70	A
.3410-.3569 8.667-9.065	12.01-22.00 304.8-558.8	\$140	\$117	\$107	\$105	\$95	3/4 x 2-3/4 19.05 x 70	A
.3410-.3569 8.667-9.065	22.01-36.00 558.8-914.4	\$154	\$128	\$120	\$117	\$106	3/4 x 2-3/4 19.05 x 70	A
.3410-.3569 8.667-9.065	36.01-48.00 914.4-1219.2	\$164	\$140	\$128	\$114	\$111	3/4 x 2-3/4 19.05 x 70	A
.3410-.3569 8.667-9.065	48.01-64.00 1219.2-1625.6	\$169	\$145	\$132	\$119	\$116	3/4 x 2-3/4 19.05 x 70	A
.3410-.3569 8.667-9.065	64.01-72.00 1625.9-1828.8	\$174	\$150	\$137	\$124	\$121	3/4 x 2-3/4 19.05 x 70	A
.3570-.3720 9.067-9.448	6.00-12.00 152.4-304.8	\$130	\$110	\$101	\$99	\$90	3/4 x 2-3/4 19.05 x 70	A
.3570-.3720 9.067-9.448	12.01-22.00 304.8-558.8	\$141	\$117	\$109	\$107	\$95	3/4 x 2-3/4 19.05 x 70	A
.3570-.3720 9.067-9.448	22.01-36.00 558.8-914.4	\$154	\$128	\$120	\$117	\$104	3/4 x 2-3/4 19.05 x 70	A
.3721-.3879 9.451-9.852	6.00-12.00 152.4-304.8	\$132	\$111	\$103	\$101	\$90	3/4 x 2-3/4 19.05 x 70	A
.3721-.3879 9.451-9.852	12.01-22.00 304.8-558.8	\$141	\$119	\$111	\$108	\$97	3/4 x 2-3/4 19.05 x 70	A
.3721-.3879 9.451-9.852	22.01-36.00 558.8-914.4	\$156	\$130	\$119	\$118	\$108	3/4 x 2-3/4 19.05 x 70	A
.3721-.3879 9.451-9.852	36.01-48.00 914.4-1219.2	\$173	\$145	\$136	\$133	\$118	3/4 x 2-3/4 19.05 x 70	A
.3721-.3879 9.451-9.852	48.01-64.00 1219.2-1625.6	\$178	\$150	\$141	\$138	\$123	3/4 x 2-3/4 19.05 x 70	A
.3721-.3879 9.451-9.852	64.01-72.00 1625.6-1828.8	\$182	\$155	\$146	\$142	\$128	3/4 x 2-3/4 19.05 x 70	A
.3880-.4039 9.855-10.259	6.00-12.00 152.4-304.8	\$132	\$111	\$103	\$101	\$90	3/4 x 2-3/4 19.05 x 70	A
.3880-.4039 9.855-10.259	12.01-22.00 304.8-558.8	\$142	\$118	\$111	\$107	\$97	3/4 x 2-3/4 19.05 x 70	A
.3880-.4039 9.855-10.259	22.01-36.00 558.8-914.4	\$156	\$132	\$120	\$117	\$107	3/4 x 2-3/4 19.05 x 70	A
.3880-.4039 9.855-10.259	36.01-48.00 914.4-1219.2	\$162	\$136	\$127	\$122	\$111	3/4 x 2-3/4 19.05 x 70	A
.4040-.4189 10.261-10.64	6.00-12.00 152.4-304.8	\$137	\$111	\$105	\$101	\$92	3/4 x 2-3/4 19.05 x 70	A
.4040-.4189 10.261-10.64	12.01-22.00 304.8-558.8	\$143	\$121	\$111	\$109	\$98	3/4 x 2-3/4 19.05 x 70	A
.4040-.4189 10.261-10.64	22.01-36.00 558.8-914.4	\$158	\$132	\$122	\$119	\$107	3/4 x 2-3/4 19.05 x 70	A
.4040-.4189 10.261-10.64	36.01-48.00 914.4-1219.2	\$163	\$138	\$127	\$124	\$111	3/4 x 2-3/4 19.05 x 70	A
.4040-.4189 10.261-10.64	48.01-64.00 1219.2-1625.6	\$168	\$142	\$132	\$129	\$116	3/4 x 2-3/4 19.05 x 70	A
.4040-.4189 10.261-10.64	64.01-72.00 1625.6-1828.8	\$173	\$147	\$137	\$134	\$121	3/4 x 2-3/4 19.05 x 70	A
.4190-.4349 10.642-11.046	6.00-12.00 152.4-304.8	\$136	\$111	\$105	\$101	\$92	3/4 x 2-3/4 19.05 x 70	A
.4190-.4349 10.642-11.046	12.01-22.00 304.8-558.8	\$142	\$120	\$111	\$109	\$98	3/4 x 2-3/4 19.05 x 70	A

Diameter (inches/mm)	Overall (inches/mm)	1 Drill	2-3 Drills	4-5 Drills	6-11 Drills	12-25 Drills	Shank Size (inches/mm)	Shank Type
.4190-.4349 10.642-11.046	22.01-36.00 558.8-914.4	\$159	\$133	\$121	\$118	\$108	3/4 x 2-3/4 19.05 x 70	A
.4190-.4349 10.642-11.046	36.01-48.00 914.4-1219.2	\$164	\$138	\$126	\$123	\$113	3/4 x 2-3/4 19.05 x 70	A
.4190-.4349 10.642-11.046	48.01-64.00 1219.2-1625.6	\$169	\$141	\$131	\$128	\$117	3/4 x 2-3/4 19.05 x 70	A
.4190-.4349 10.642-11.046	64.01-72.00 1625.9-1828.8	\$174	\$146	\$136	\$133	\$122	3/4 x 2-3/4 19.05 x 70	A
.4350-.4509 11.049-11.452	6.00-12.00 152.4-304.8	\$137	\$112	\$104	\$102	\$93	3/4 x 2-3/4 19.05 x 70	A
.4350-.4509 11.049-11.452	12.01-22.00 304.8-558.8	\$142	\$120	\$111	\$107	\$98	3/4 x 2-3/4 19.05 x 70	A
.4350-.4509 11.049-11.452	22.01-36.00 558.8-914.4	\$157	\$133	\$122	\$120	\$107	3/4 x 2-3/4 19.05 x 70	A
.4350-.4509 11.049-11.452	36.01-48.00 914.4-1219.2	\$162	\$136	\$124	\$122	\$111	3/4 x 2-3/4 19.05 x 70	A
.4350-.4509 11.049-11.452	48.01-64.00 1219.2-1625.6	\$174	\$146	\$135	\$132	\$119	3/4 x 2-3/4 19.05 x 70	A
.4350-.4509 11.049-11.452	64.01-72.00 1625.9-1828.8	\$180	\$152	\$140	\$137	\$124	3/4 x 2-3/4 25.40 x 70	A
.4510-.4659 11.455-11.833	6.00-12.00 152.4-304.8	\$136	\$117	\$107	\$102	\$92	3/4 x 2-3/4 25.40 x 70	A
.4510-.4659 11.455-11.833	12.01-22.00 304.8-558.8	\$143	\$122	\$111	\$109	\$98	3/4 x 2-3/4 25.40 x 70	A
.4510-.4659 11.455-11.833	22.01-36.00 558.8-914.4	\$156	\$133	\$121	\$119	\$107	3/4 x 2-3/4 25.40 x 70	A
.4510-.4659 11.455-11.833	36.01-48.00 914.4-1219.2	\$166	\$140	\$128	\$126	\$115	3/4 x 2-3/4 25.40 x 70	A
.4660-.4829 11.836-12.265	6.00-12.00 152.4-304.8	\$137	\$117	\$107	\$105	\$94	3/4 x 2-3/4 25.40 x 70	A
.4660-.4829 11.836-12.265	12.01-22.00 304.8-558.8	\$145	\$120	\$111	\$109	\$98	3/4 x 2-3/4 25.40 x 70	A
.4660-.4829 11.836-12.265	22.01-36.00 558.8-914.4	\$157	\$133	\$122	\$119	\$107	3/4 x 2-3/4 25.40 x 70	A
.4660-.4829 11.836-12.265	36.01-48.00 914.4-1219.2	\$168	\$141	\$129	\$127	\$115	3/4 x 2-3/4 25.40 x 70	A
.4660-.4829 11.836-12.265	48.01-64.00 1219.2-1625.6	\$172	\$146	\$134	\$132	\$120	3/4 x 2-3/4 25.40 x 70	A
.4660-.4829 11.836-12.265	64.01-72.00 1625.6-1828.8	\$177	\$151	\$139	\$137	\$125	3/4 x 2-3/4 25.40 x 70	A
.4830-.4979 12.268-12.646	6.00-12.00 152.4-304.8	\$137	\$117	\$109	\$104	\$93	3/4 x 2-3/4 25.40 x 70	A
.4830-.4979 12.268-12.646	12.01-22.00 304.8-558.8	\$145	\$123	\$115	\$111	\$101	3/4 x 2-3/4 25.40 x 70	A
.4830-.4979 12.268-12.646	22.01-36.00 558.8-914.4	\$157	\$133	\$121	\$118	\$107	3/4 x 2-3/4 25.40 x 70	A
.4830-.4979 12.268-12.646	36.01-48.00 914.4-1219.2	\$160	\$137	\$123	\$119	\$107	3/4 x 2-3/4 25.40 x 70	A
.4830-.4979 12.268-12.646	48.01-64.00 1219.2-1625.6	\$165	\$142	\$128	\$126	\$114	3/4 x 2-3/4 25.40 x 70	A
.4980-.5079 12.649-12.9	6.00-12.00 152.4-304.8	\$140	\$117	\$108	\$107	\$95	3/4 x 2-3/4 25.40 x 70	A
.4980-.5079 12.649-12.9	12.01-22.00 304.8-558.8	\$147	\$123	\$115	\$110	\$101	3/4 x 2-3/4 25.40 x 70	A
.4980-.5079 12.649-12.9	22.01-36.00 558.8-914.4	\$160	\$137	\$123	\$119	\$107	3/4 x 2-3/4 25.40 x 70	A
.4980-.5079 12.649-12.9	36.01-48.00 914.4-1219.2	\$160	\$137	\$123	\$121	\$109	3/4 x 2-3/4 25.40 x 70	A
.4980-.5079 12.649-12.9	48.01-64.00 1219.2-1625.6	\$165	\$142	\$128	\$126	\$114	3/4 x 2-3/4 25.40 x 70	A
.4980-.5079 12.649-12.9	64.01-72.00 1625.6-1828.8	\$170	\$147	\$133	\$131	\$119	3/4 x 2-3/4 25.40 x 70	A
.5080-.5239 12.903-13.307	6.00-12.00 152.4-304.8	\$141	\$118	\$110	\$108	\$97	1 x 2-3/4 25.40 x 70	A
.5080-.5239 12.903-13.307	16.01-22.00 406.4-558.8	\$151	\$127	\$117	\$111	\$103	1 x 2-3/4 25.40 x 70	A
.5080-.5239 12.903-13.307	22.01-36.00 558.8-914.4	\$160	\$137	\$125	\$122	\$110	1 x 2-3/4 25.40 x 70	A

Custom Single Flute Gundrills

72 Hour Shipment



Diameter (inches/mm)	Overall (inches/mm)	1 Drill	2-3 Drills	4-5 Drills	6-11 Drills	12-25 Drills	Shank Size (inches/mm)	Shank Type
.7460-.7609 18.948-19.326	6.00-16.00 152.4-406.4	\$175	\$146	\$136	\$134	\$118	1-1/4 x 2-3/4 31.75 x 70	A
.7460-.7609 18.948-19.326	16.01-22.00 406.4-558.8	\$186	\$154	\$143	\$138	\$126	1-1/4 x 2-3/4 31.75 x 70	A
.7460-.7609 18.948-19.326	22.01-36.00 558.8-914.4	\$201	\$168	\$154	\$150	\$135	1-1/4 x 2-3/4 31.75 x 70	A
.7460-.7609 18.948-19.326	36.01-48.00 914.4-1219.2	\$207	\$175	\$160	\$156	\$140	1-1/4 x 2-3/4 31.75 x 70	A
.7460-.7609 18.948-19.326	48.01-64.00 1219.2-1625.6	\$274	\$229	\$211	\$206	\$185	1-1/4 x 2-3/4 31.75 x 70	A
.7460-.7609 18.948-19.326	64.01-72.00 1625.6-1828.8	\$282	\$237	\$219	\$212	\$191	1-1/4 x 2-3/4 31.75 x 70	A
.7610-.7799 19.329-19.809	8.00-22.00 203.2-558.8	\$193	\$164	\$145	\$143	\$128	1-1/4 x 2-3/4 31.75 x 70	A
.7610-.7799 19.329-19.809	22.01-36.00 558.8-914.4	\$207	\$175	\$159	\$156	\$141	1-1/4 x 2-3/4 31.75 x 70	A
.7610-.7799 19.329-19.809	36.01-48.00 914.4-1219.2	\$245	\$210	\$201	\$196	\$175	1-1/4 x 2-3/4 31.75 x 70	A
.7800-.7949 19.812-20.19	8.00-22.00 203.2-558.8	\$171	\$152	\$142	\$139	\$124	1-1/4 x 2-3/4 31.75 x 70	A
.7800-.7949 19.812-20.19	22.01-36.00 558.8-914.4	\$181	\$163	\$153	\$147	\$135	1-1/4 x 2-3/4 31.75 x 70	A
.7800-.7949 19.812-20.19	36.01-48.00 914.4-1219.2	\$245	\$207	\$190	\$185	\$166	1-1/4 x 2-3/4 31.75 x 70	A
.7950-.8089 20.193-20.546	8.00-22.00 203.2-558.8	\$189	\$159	\$149	\$143	\$128	1-1/4 x 2-3/4 31.75 x 70	A
.7950-.8089 20.193-20.546	22.01-36.00 558.8-914.4	\$204	\$171	\$158	\$154	\$140	1-1/4 x 2-3/4 31.75 x 70	A
.8090-.8259 20.548-20.977	8.00-22.00 203.2-558.8	\$191	\$161	\$149	\$145	\$130	1-1/4 x 2-3/4 31.75 x 70	A
.8090-.8259 20.548-20.977	22.01-36.00 558.8-914.4	\$207	\$174	\$159	\$156	\$141	1-1/4 x 2-3/4 31.75 x 70	A
.8090-.8259 20.548-20.977	36.01-48.00 914.4-1219.2	\$222	\$187	\$173	\$168	\$151	1-1/2 x 2-3/4 31.75 x 70	C
.8090-.8259 20.548-20.977	48.01-64.00 1219.2-1625.6	\$227	\$192	\$178	\$173	\$156	1-1/2 x 2-3/4 31.75 x 70	C
.8090-.8259 20.548-20.977	64.01-72.00 1625.6-1828.8	\$232	\$197	\$182	\$178	\$161	1-1/2 x 2-3/4 31.75 x 70	C
.8260-.8409 20.98-21.358	8.00-22.00 203.2-558.8	\$204	\$171	\$158	\$154	\$135	1-3/4 x 2-3/4 31.75 x 70	C
.8260-.8409 20.98-21.358	22.01-36.00 558.8-914.4	\$213	\$179	\$167	\$162	\$147	1-3/4 x 2-3/4 31.75 x 70	C
.8410-.8569 21.361-21.765	8.00-22.00 203.2-558.8	\$196	\$164	\$154	\$149	\$135	1-3/4 x 2-3/4 31.75 x 70	C
.8410-.8569 21.361-21.765	22.01-36.00 558.8-914.4	\$209	\$177	\$164	\$160	\$143	1-3/4 x 2-3/4 31.75 x 70	C
.8570-.8729 21.767-22.171	8.00-22.00 203.2-558.8	\$213	\$175	\$164	\$157	\$143	1-3/4 x 2-3/4 31.75 x 70	C
.8570-.8729 21.767-22.171	22.01-36.00 558.8-914.4	\$225	\$188	\$173	\$167	\$154	1-3/4 x 2-3/4 31.75 x 70	C
.8570-.8729 21.767-22.171	36.01-48.00 914.4-1219.2	\$249	\$213	\$196	\$188	\$170	1-3/4 x 2-3/4 31.75 x 70	C
.8730-.8879 22.174-22.552	8.00-22.00 203.2-558.8	\$213	\$175	\$167	\$164	\$145	1-3/4 x 2-3/4 31.75 x 70	C
.8730-.8879 22.174-22.552	22.01-36.00 558.8-914.4	\$228	\$196	\$175	\$171	\$155	1-3/4 x 2-3/4 31.75 x 70	C
.8730-.8879 22.174-22.552	36.01-48.00 914.4-1219.2	\$255	\$213	\$196	\$191	\$175	2 x 2-3/4 50.80 x 70	C
.8880-.8959 22.555-22.755	8.00-22.00 203.2-558.8	\$214	\$181	\$166	\$164	\$146	2 x 2-3/4 50.80 x 70	C
.8880-.8959 22.555-22.755	22.01-36.00 558.8-914.4	\$230	\$190	\$175	\$173	\$154	2 x 2-3/4 50.80 x 70	C
.8960-.9189 22.555-22.755	8.00-22.00 203.2-558.8	\$227	\$191	\$176	\$171	\$154	2 x 2-3/4 50.80 x 70	C

Diameter (inches/mm)	Overall (inches/mm)	1 Drill	2-3 Drills	4-5 Drills	6-11 Drills	12-25 Drills	Shank Size (inches/mm)	Shank Type
.8960-.9189 22.555-22.755	22.01-36.00 558.8-914.4	\$239	\$203	\$186	\$178	\$164	1-1/4 x 2-3/4 31.75 x 70	A
.9190-.9329 23.342-23.695	8.00-22.00 203.2-558.8	\$229	\$192	\$180	\$175	\$155	1-1/4 x 2-3/4 31.75 x 70	A
.9190-.9329 23.342-23.695	22.01-36.00 558.8-914.4	\$242	\$207	\$188	\$186	\$167	1-1/4 x 2-3/4 31.75 x 70	A
.9190-.9329 23.342-23.695	36.01-48.00 914.4-1219.2	\$295	\$250	\$228	\$223	\$205	1-1/4 x 2-3/4 31.75 x 70	A
.9190-.9329 23.342-23.695	48.01-64.00 1219.2-1625.6	\$394	\$328	\$302	\$296	\$138	1-1/4 x 2-3/4 31.75 x 70	A
.9190-.9329 23.342-23.695	64.01-72.00 1625.6-1828.8	\$408	\$341	\$314	\$307	\$275	1-1/4 x 2-3/4 31.75 x 70	A
.9330-.9509 23.698-24.152	8.00-22.00 203.2-558.8	\$225	\$188	\$174	\$170	\$154	1-1/4 x 2-3/4 31.75 x 70	A
.9330-.9509 23.698-24.152	22.01-36.00 558.8-914.4	\$242	\$203	\$187	\$177	\$164	1-1/4 x 2-3/4 31.75 x 70	A
.9330-.9509 23.698-24.152	36.01-48.00 914.4-1219.2	\$292	\$244	\$226	\$220	\$197	1-1/4 x 2-3/4 31.75 x 70	A
.9330-.9509 23.698-24.152	48.01-64.00 1219.2-1625.6	\$297	\$249	\$231	\$225	\$202	1-1/4 x 2-3/4 31.75 x 70	A
.9330-.9509 23.698-24.152	64.01-72.00 1625.6-1828.8	\$302	\$254	\$236	\$230	\$207	1-1/4 x 2-3/4 31.75 x 70	A
.9510-.9619 24.155-24.432	8.00-22.00 203.2-558.8	\$240	\$202	\$186	\$177	\$164	1-1/4 x 2-3/4 31.75 x 70	A
.9510-.9619 24.155-24.432	22.01-36.00 558.8-914.4	\$255	\$215	\$201	\$196	\$175	1-1/4 x 2-3/4 31.75 x 70	A
.9620-.9819 24.434-24.94	8.00-22.00 203.2-558.8	\$247	\$207	\$199	\$186	\$164	1-1/4 x 2-3/4 31.75 x 70	A
.9620-.9819 24.434-24.94	22.01-36.00 558.8-914.4	\$261	\$213	\$199	\$193	\$171	1-1/4 x 2-3/4 31.75 x 70	A
.9820-.9979 24.942-25.346	8.00-22.00 203.2-558.8	\$242	\$207	\$191	\$186	\$167	1-1/4 x 2-3/4 31.75 x 70	A
.9820-.9979 24.942-25.346	22.01-36.00 558.8-914.4	\$256	\$214	\$198	\$192	\$175	1-1/4 x 2-3/4 31.75 x 70	A
.9820-.9979 24.942-25.346	48.01-64.00 1219.2-1625.6	\$261	\$219	\$203	\$197	\$180	1-1/4 x 2-3/4 31.75 x 70	A
.9820-.9979 24.942-25.346	64.01-72.00 1625.6-1828.8	\$266	\$224	\$208	\$203	\$185	1-1/4 x 2-3/4 31.75 x 70	A
.9980-1.0579 25.349-1.47	8.00-22.00 203.2-558.8	\$251	\$209	\$193	\$188	\$170	1-1/4 x 2-3/4 31.75 x 70	A
.9980-1.0579 25.349-1.47	22.01-36.00 558.8-914.4	\$262	\$217	\$207	\$198	\$177	1-1/4 x 2-3/4 31.75 x 70	A
.9980-1.0579 25.349-1.47	36.01-48.00 914.4-1219.2	\$297	\$245	\$228	\$217	\$198	1-1/4 x 2-3/4 31.75 x 70	A
.9980-1.0579 25.349-1.47	64.01-72.00 1625.6-1828.8	\$302	\$250	\$233	\$222	\$203	1-1/4 x 2-3/4 31.75 x 70	A
1.0580-1.0999 26.873-27.937	8.00-22.00 203.2-558.8	\$292	\$245	\$223	\$219	\$196	1-1/2 x 2-3/4 31.75 x 70	C
1.0580-1.0999 26.873-27.937	22.01-36.00 558.8-914.4	\$318	\$266	\$245	\$234	\$213	1-1/2 x 2-3/4 31.75 x 70	C
1.0580-1.0999 26.873-27.937	36.01-48.00 914.4-1219.2	\$346	\$288	\$269	\$262	\$234	1-1/2 x 2-3/4 31.75 x 70	C
1.1000-1.1729 27.94-29.791	8.00-22.00 203.2-558.8	\$310	\$266	\$241	\$234	\$210	1-3/4 x 2-3/4 31.75 x 70	C
1.1000-1.1729 27.94-29.791	22.01-36.00 558.8-914.4	\$329	\$273	\$250	\$244	\$217	1-3/4 x 2-3/4 31.75 x 70	C
1.1000-1.1729 27.94-29.791	36.01-48.00 914.4-1219.2	\$333	\$284	\$266	\$256	\$228	1-3/4 x 2-3/4 31.75 x 70	C
1.1000-1.1729 27.94-29.791	48.01-64.00 1219.2-1625.6	\$338	\$289	\$271	\$261	\$233	1-3/4 x 2-3/4 31.75 x 70	C
1.1000-1.1729 27.94-29.791	64.01-72.00 1625.6-1828.8	\$343	\$294	\$276	\$266	\$238	1-3/4 x 2-3/4 31.75 x 70	C
1.1730-1.2239 29.794-31.087	8.00-22.00 203.2-558.8	\$341	\$286	\$266	\$262	\$232	1-3/4 x 2-3/4 31.75 x 70	C

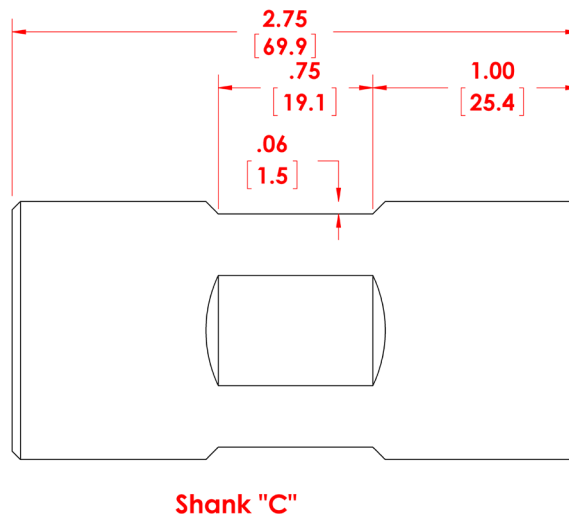
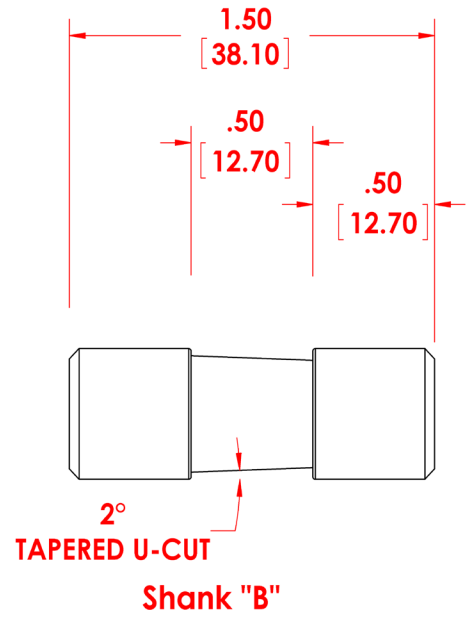
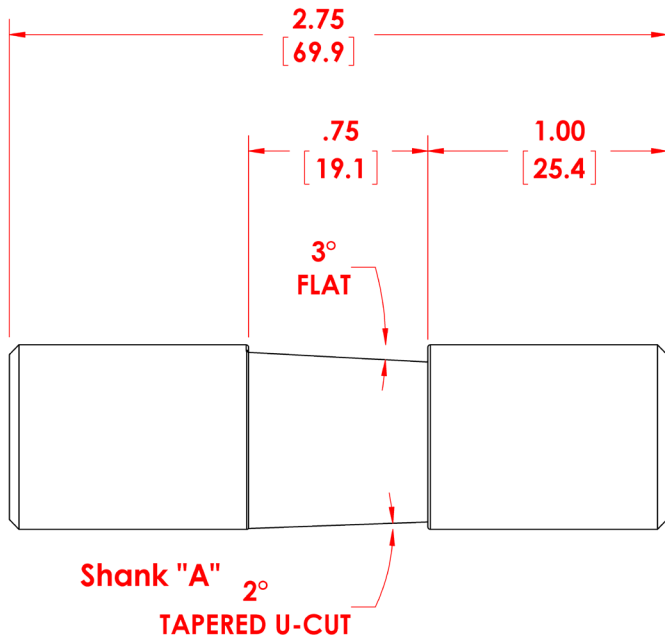
Custom Single Flute Gundrills

72 Hour Shipment



Diameter (inches/mm)	Overall (inches/mm)	1 Drill	2-3 Drills	4-5 Drills	6-11 Drills	12-25 Drills	Shank Size (inches/mm)	Shank Type
1.1730-1.2239 29.794-31.087	22.01-36.00 558.8-914.4	\$359	\$302	\$280	\$273	\$241	1-3/4 x 2-3/4 31.75 x 70	C
1.1730-1.2239 29.794-31.087	36.01-48.00 914.4-1219.2	\$412	\$345	\$315	\$304	\$275	1-3/4 x 2-3/4 31.75 x 70	C
1.2240-1.2769 31.089-32.433	8.00-22.00 203.2-558.8	\$387	\$324	\$298	\$292	\$260	1-3/4 x 2-3/4 31.75 x 70	C
1.2240-1.2769 31.089-32.433	22.01-36.00 558.8-914.4	\$400	\$334	\$311	\$302	\$273	1-3/4 x 2-3/4 31.75 x 70	C
1.2240-1.2769 31.089-32.433	36.01-48.00 914.4-1219.2	\$419	\$352	\$324	\$313	\$281	1-3/4 x 2-3/4 31.75 x 70	C
1.2770-1.3689 32.435-34.77	8.00-22.00 203.2-558.8	\$420	\$351	\$325	\$316	\$283	2 x 2-3/4 50.80 x 70	C
1.2770-1.3689 32.435-34.77	22.01-36.00 558.8-914.4	\$452	\$378	\$346	\$341	\$304	2 x 2-3/4 50.80 x 70	C
1.2770-1.3689 32.435-34.77	36.01-48.00 914.4-1219.2	\$474	\$399	\$367	\$358	\$328	2 x 2-3/4 50.80 x 70	C
1.2770-1.3689 32.435-34.77	48.01-64.00 1219.2-1625.6	\$479	\$404	\$372	\$363	\$333	2 x 2-3/4 50.80 x 70	C
1.2770-1.3689 32.435-34.77	64.01-72.00 1625.6-1828.8	\$519	\$444	\$412	\$403	\$373	2 x 2-3/4 50.80 x 70	C
1.3690-1.4949 34.772-37.97	8.00-22.00 203.2-558.8	\$468	\$393	\$359	\$351	\$313	2 x 2-3/4 50.80 x 70	C
1.3690-1.4949 34.772-37.97	22.01-36.00 558.8-914.4	\$504	\$419	\$387	\$377	\$334	2 x 2-3/4 50.80 x 70	C
1.3690-1.4949 34.772-37.97	36.01-48.00 914.4-1219.2	\$522	\$437	\$407	\$398	\$355	2 x 2-3/4 50.80 x 70	C
1.3690-1.4949 34.772-37.97	48.01-64.00 1219.2-1625.6	\$527	\$442	\$412	\$403	\$360	2 x 2-3/4 50.80 x 70	C
1.3690-1.4949 34.772-37.97	64.01-72.00 1625.6-1828.8	\$567	\$482	\$452	\$443	\$400	2 x 2-3/4 50.80 x 70	C
1.4950-1.5080 37.973-38.303	8.00-22.00 203.2-558.8	\$512	\$426	\$395	\$384	\$344	2 x 2-3/4 50.80 x 70	C
1.4950-1.5080 37.973-38.303	22.01-36.00 558.8-914.4	\$544	\$454	\$418	\$408	\$365	2 x 2-3/4 50.80 x 70	C
1.4950-1.5080 37.973-38.303	36.01-48.00 914.4-1219.2	\$570	\$475	\$439	\$428	\$382	2 x 2-3/4 50.80 x 70	C
1.4950-1.5080 37.973-38.303	48.01-64.00 1219.2-1625.6	\$575	\$480	\$444	\$433	\$387	2 x 2-3/4 50.80 x 70	C
1.4950-1.5080 37.973-38.303	64.01-72.00 1625.6-1828.8	\$615	\$520	\$484	\$473	\$427	2 x 2-3/4 50.80 x 70	C

Single Flute Gundrill Standard Drivers



NOTE:
 Inch
 [Metric]

*Pricing Effective 2018



Star SU LLC
 5200 Prairie Stone Parkway,
 Suite 100
 Hoffman Estates, IL 60192
 Tel.: 847 649 1450
 Fax: 847 649 0112
 e-mail: sales@star-su.com
 web: www.star-su.com

Star Cutter Company
 23461 Industrial Park Drive
 Farmington Hills, MI 49629-0728
 Tel.: 231 264 5661
 Fax: 231 264 5663
 e-mail: sales@starcutter.com
 web: www.starcutter.com