

Single Flute Gundrill Stock List



Same day shipping.
Technical support available.
Be sure to ask about our 72-hour custom gundrills.

Call **877-635-3488** for availability

Single Flute Gundrill Stock List



Diameter (inches/mm)	Overall (inches/mm)	1-3 Drills	4-5 Drills	6-11 Drills	12-25 Drills	Shank Size (inches/mm)	Shank Type
0.0781 (1.984)	6 (152)	\$91	\$91	\$91	\$91	1/2 x 1-1/2 (12.7 - 38.1)	B
0.0781 (1.984)	10 (254)	\$125	\$125	\$125	\$125	1/2 x 1-1/2 (12.7 - 38.1)	B
0.0820 (2.083)	6 (152)	\$100	\$100	\$100	\$100	1/2 x 1-1/2 (12.7 - 38.1)	B
0.0820 (2.083)	10 (254)	\$125	\$125	\$125	\$125	1/2 x 1-1/2 (12.7 - 38.1)	B
0.0860 (2.184)	6 (152)	\$100	\$100	\$100	\$100	1/2 x 1-1/2 (12.7 - 38.1)	B
0.0860 (2.184)	10 (254)					1/2 x 1-1/2 (12.7 - 38.1)	B
0.0937 (2.380)	6 (152)	\$105	\$105	\$105	\$105	1/2 x 1-1/2 (12.7 - 38.1)	B
0.0937 (2.380)	10 (254)	\$132	\$132	\$132	\$132	1/2 x 1-1/2 (12.7 - 38.1)	B
0.0937 (2.380)	16 (406)	\$105	\$100	\$92	\$85	1/2 x 1-1/2 (12.7 - 38.1)	B
0.0984 (2.499)	6 (152)	\$105	\$105	\$105	\$105	1/2 x 1-1/2 (12.7 - 38.1)	B
0.0984 (2.499)	10 (254)	\$132	\$132	\$132	\$132	1/2 x 1-1/2 (12.7 - 38.1)	B
0.0995 (2.527)	6 (152)	\$105	\$105	\$105	\$105	1/2 x 1-1/2 (12.7 - 38.1)	B
0.0995 (2.527)	10 (254)	\$132	\$132	\$132	\$132	1/2 x 1-1/2 (12.7 - 38.1)	B
0.1094 (2.779)	6 (152)	\$105	\$105	\$105	\$105	1/2 x 1-1/2 (12.7 - 38.1)	B
0.1094 (2.779)	10 (254)	\$132	\$132	\$132	\$132	1/2 x 1-1/2 (12.7 - 38.1)	B
0.1250 (3.175)	10 (254)	\$71	\$65	\$61	\$56	3/4 x 2-3/4 (19.05 - 70)	B
0.1250 (3.175)	16 (406)	\$77	\$70	\$65	\$59	3/4 x 2-3/4 (19.05 - 70)	B
0.1285 (3.264)	10 (254)	\$73	\$69	\$63	\$56	3/4 x 2-3/4 (19.05 - 70)	B
0.1285 (3.264)	16 (406)	\$79	\$73	\$57	\$60	3/4 x 2-3/4 (19.05 - 70)	B
0.1285 (3.264)	22 (559)	\$85	\$80	\$73	\$66	3/4 x 2-3/4 (19.05 - 70)	B
0.1285 (3.264)	28 (711)	\$87	\$83	\$75	\$67	3/4 x 2-3/4 (19.05 - 70)	B
0.1360 (3.454)	10 (254)	\$75	\$71	\$64	\$57	3/4 x 2-3/4 (19.05 - 70)	A
0.1360 (3.454)	16 (406)	\$81	\$74	\$67	\$61	3/4 x 2-3/4 (19.05 - 70)	A
0.1360 (3.454)	22 (559)	\$87	\$81	\$74	\$66	3/4 x 2-3/4 (19.05 - 70)	A
0.1406 (3.571)	10 (254)	\$73	\$67	\$61	\$55	3/4 x 2-3/4 (19.05 - 70)	A
0.1406 (3.571)	16 (406)	\$77	\$73	\$66	\$59	3/4 x 2-3/4 (19.05 - 70)	A
0.1406 (3.571)	22 (559)	\$83	\$77	\$71	\$63	3/4 x 2-3/4 (19.05 - 70)	A
0.1470 (3.734)	10 (254)	\$74	\$68	\$62	\$56	3/4 x 2-3/4 (19.05 - 70)	A
0.1470 (3.734)	16 (406)	\$77	\$73	\$66	\$59	3/4 x 2-3/4 (19.05 - 70)	A
0.1470 (3.734)	22 (559)	\$84	\$77	\$71	\$63	3/4 x 2-3/4 (19.05 - 70)	A
0.1495 (3.797)	10 (254)	\$73	\$68	\$61	\$55	3/4 x 2-3/4 (19.05 - 70)	A
0.1495 (3.797)	16 (406)	\$78	\$73	\$67	\$59	3/4 x 2-3/4 (19.05 - 70)	A

Diameter (inches/mm)	Overall (inches/mm)	1-3 Drills	4-5 Drills	6-11 Drills	12-25 Drills	Shank Size (inches/mm)	Shank Type
0.1562 (3.967)	10 (254)	\$71	\$65	\$60	\$55	3/4 x 2-3/4 (19.05 - 70)	A
0.1562 (3.967)	16 (406)	\$73	\$69	\$63	\$56	3/4 x 2-3/4 (19.05 - 70)	A
0.1562 (3.967)	22 (559)	\$79	\$75	\$67	\$61	3/4 x 2-3/4 (19.05 - 70)	A
0.1562 (3.967)	28 (711)	\$84	\$77	\$71	\$65	3/4 x 2-3/4 (19.05 - 70)	A
0.1562 (3.967)	36 (914)	\$88	\$82	\$75	\$66	3/4 x 2-3/4 (19.05 - 70)	A
0.1575 (4.000)	10 (254)	\$71	\$66	\$61	\$55	3/4 x 2-3/4 (19.05 - 70)	A
0.1575 (4.000)	16 (406)	\$75	\$71	\$65	\$57	3/4 x 2-3/4 (19.05 - 70)	A
0.1575 (4.000)	22 (559)	\$80	\$75	\$69	\$61	3/4 x 2-3/4 (19.05 - 70)	A
0.1590 (4.039)	10 (254)	\$71	\$66	\$61	\$55	3/4 x 2-3/4 (19.05 - 70)	A
0.1590 (4.039)	16 (406)	\$75	\$71	\$65	\$57	3/4 x 2-3/4 (19.05 - 70)	A
0.1590 (4.039)	22 (559)	\$80	\$75	\$69	\$61	3/4 x 2-3/4 (19.05 - 70)	A
0.1610 (4.089)	10 (254)	\$71	\$66	\$61	\$55	3/4 x 2-3/4 (19.05 - 70)	A
0.1610 (4.089)	16 (406)	\$75	\$70	\$65	\$57	3/4 x 2-3/4 (19.05 - 70)	A
0.1610 (4.089)	22 (559)	\$80	\$75	\$69	\$61	3/4 x 2-3/4 (19.05 - 70)	A
0.1660 (4.216)	10 (254)	\$71	\$65	\$62	\$55	3/4 x 2-3/4 (19.05 - 70)	A
0.1660 (4.216)	16 (406)	\$75	\$71	\$65	\$57	3/4 x 2-3/4 (19.05 - 70)	A
0.1660 (4.216)	22 (559)	\$80	\$75	\$70	\$61	3/4 x 2-3/4 (19.05 - 70)	A
0.1719 (4.366)	10 (254)	\$71	\$66	\$61	\$55	3/4 x 2-3/4 (19.05 - 70)	A
0.1719 (4.366)	16 (406)	\$75	\$70	\$65	\$57	3/4 x 2-3/4 (19.05 - 70)	A
0.1719 (4.366)	22 (559)	\$80	\$75	\$69	\$61	3/4 x 2-3/4 (19.05 - 70)	A
0.1770 (4.496)	10 (254)	\$70	\$65	\$60	\$55	3/4 x 2-3/4 (19.05 - 70)	A
0.1770 (4.496)	16 (406)	\$75	\$69	\$63	\$57	3/4 x 2-3/4 (19.05 - 70)	A
0.1770 (4.496)	22 (559)	\$79	\$73	\$67	\$61	3/4 x 2-3/4 (19.05 - 70)	A
0.1800 (4.572)	10 (254)	\$70	\$65	\$61	\$55	3/4 x 2-3/4 (19.05 - 70)	A
0.1800 (4.572)	16 (406)	\$75	\$69	\$63	\$56	3/4 x 2-3/4 (19.05 - 70)	A
0.1800 (4.572)	22 (559)	\$79	\$73	\$68	\$60	3/4 x 2-3/4 (19.05 - 70)	A
0.1850 (4.699)	10 (254)	\$71	\$65	\$61	\$55	3/4 x 2-3/4 (19.05 - 70)	A
0.1850 (4.699)	16 (406)	\$75	\$69	\$63	\$57	3/4 x 2-3/4 (19.05 - 70)	A
0.1850 (4.699)	22 (559)	\$79	\$73	\$66	\$61	3/4 x 2-3/4 (19.05 - 70)	A
0.1875 (4.763)	10 (254)	\$65	\$62	\$55	\$52	3/4 x 2-3/4 (19.05 - 70)	A
0.1875 (4.763)	16 (406)	\$71	\$65	\$61	\$55	3/4 x 2-3/4 (19.05 - 70)	A
0.1875 (4.763)	22 (559)	\$72	\$67	\$61	\$57	3/4 x 2-3/4 (19.05 - 70)	A

Single Flute Gundrill Stock List



Diameter (inches/mm)	Overall (inches/mm)	1-3 Drills	4-5 Drills	6-11 Drills	12-25 Drills	Shank Size (inches/mm)	Shank Type
0.1875 (4.763)	28 (711)	\$81	\$75	\$69	\$62	3/4 x 2-3/4 (19.05 - 70)	A
0.1875 (4.763)	10 (914)	\$87	\$82	\$75	\$67	1/2 x 1-1/2 (12.7 - 38.1)	A
0.2031 (5.159)	10 (254)	\$66	\$61	\$55	\$51	3/4 x 2-3/4 (19.05 - 70)	A
0.2031 (5.159)	16 (406)	\$68	\$63	\$59	\$55	3/4 x 2-3/4 (19.05 - 70)	A
0.2031 (5.159)	22 (559)	\$73	\$67	\$63	\$55	3/4 x 2-3/4 (19.05 - 70)	A
0.2031 (5.159)	28 (711)	\$80	\$75	\$68	\$61	3/4 x 2-3/4 (19.05 - 70)	A
0.2031 (5.159)	36 (914)	\$85	\$81	\$73	\$66	3/4 x 2-3/4 (19.05 - 70)	A
0.2130 (5.410)	10 (254)	\$65	\$61	\$55	\$51	3/4 x 2-3/4 (19.05 - 70)	A
0.2130 (5.410)	16 (406)	\$69	\$65	\$60	\$53	3/4 x 2-3/4 (19.05 - 70)	A
0.2130 (5.410)	22 (559)	\$75	\$71	\$65	\$58	3/4 x 2-3/4 (19.05 - 70)	A
0.2130 (5.410)	28 (711)	\$77	\$73	\$68	\$60	3/4 x 2-3/4 (19.05 - 70)	A
0.2130 (5.410)	36 (914)	\$79	\$75	\$71	\$62	3/4 x 2-3/4 (19.05 - 70)	A
0.2187 (5.555)	10 (559)	\$65	\$61	\$55	\$50	3/4 x 2-3/4 (19.05 - 70)	A
0.2187 (5.555)	16 (254)	\$66	\$63	\$57	\$52	3/4 x 2-3/4 (19.05 - 70)	A
0.2187 (5.555)	22 (559)	\$71	\$65	\$62	\$55	3/4 x 2-3/4 (19.05 - 70)	A
0.2187 (5.555)	28 (711)	\$77	\$73	\$66	\$59	3/4 x 2-3/4 (19.05 - 70)	A
0.2187 (5.555)	36 (914)	\$83	\$77	\$72	\$65	3/4 x 2-3/4 (19.05 - 70)	A
0.2210 (5.613)	10 (254)	\$65	\$63	\$57	\$51	3/4 x 2-3/4 (19.05 - 70)	A
0.2210 (5.613)	16 (406)	\$68	\$65	\$59	\$53	3/4 x 2-3/4 (19.05 - 70)	A
0.2344 (5.954)	10 (254)	\$65	\$61	\$56	\$50	3/4 x 2-3/4 (19.05 - 70)	A
0.2344 (5.954)	16 (406)	\$65	\$63	\$57	\$51	3/4 x 2-3/4 (19.05 - 70)	A
0.2344 (5.954)	22 (559)	\$71	\$65	\$61	\$55	3/4 x 2-3/4 (19.05 - 70)	A
0.2344 (5.954)	28 (711)	\$75	\$71	\$65	\$59	3/4 x 2-3/4 (19.05 - 70)	A
0.2344 (5.954)	36 (914)	\$82	\$75	\$71	\$63	3/4 x 2-3/4 (19.05 - 70)	A
0.2362 (6.000)	10 (254)	\$65	\$61	\$56	\$50	3/4 x 2-3/4 (19.05 - 70)	A
0.2362 (6.000)	16 (406)	\$67	\$64	\$57	\$53	3/4 x 2-3/4 (19.05 - 70)	A
0.2362 (6.000)	22 (559)	\$72	\$68	\$61	\$55	3/4 x 2-3/4 (19.05 - 70)	A
0.2500 (6.350)	10 (254)	\$63	\$59	\$55	\$49	3/4 x 2-3/4 (19.05 - 70)	A
0.2500 (6.350)	16 (406)	\$66	\$61	\$55	\$51	3/4 x 2-3/4 (19.05 - 70)	A
0.2500 (6.350)	22 (559)	\$70	\$65	\$60	\$53	3/4 x 2-3/4 (19.05 - 70)	A
0.2500 (6.350)	28 (711)	\$75	\$71	\$65	\$57	3/4 x 2-3/4 (19.05 - 70)	A
0.2500 (6.350)	36 (914)	\$81	\$75	\$69	\$63	3/4 x 2-3/4 (19.05 - 70)	A

Diameter (inches/mm)	Overall (inches/mm)	1-3 Drills	4-5 Drills	6-11 Drills	12-25 Drills	Shank Size (inches/mm)	Shank Type
0.2500 (6.350)	48 (1219)	\$91	\$85	\$79	\$70	3/4 x 2-3/4 (19.05 - 70)	A
0.2570 (6.528)	10 (254)	\$65	\$65	\$60	\$55	3/4 x 2-3/4 (19.05 - 70)	A
0.2570 (6.528)	16 (406)	\$67	\$63	\$58	\$52	3/4 x 2-3/4 (19.05 - 70)	A
0.2570 (6.528)	22 (559)	\$70	\$66	\$59	\$55	3/4 x 2-3/4 (19.05 - 70)	A
0.2656 (6.746)	10 (711)	\$65	\$61	\$55	\$50	3/4 x 2-3/4 (19.05 - 70)	A
0.2656 (6.746)	16 (254)	\$66	\$63	\$57	\$51	3/4 x 2-3/4 (19.05 - 70)	A
0.2656 (6.746)	22 (559)	\$70	\$65	\$61	\$55	3/4 x 2-3/4 (19.05 - 70)	A
0.2656 (6.746)	28 (711)	\$75	\$71	\$65	\$58	3/4 x 2-3/4 (19.05 - 70)	A
0.2656 (6.746)	36 (914)	\$81	\$75	\$69	\$62	3/4 x 2-3/4 (19.05 - 70)	A
0.2812 (7.142)	10 (711)	\$66	\$61	\$56	\$51	3/4 x 2-3/4 (19.05 - 70)	A
0.2812 (7.142)	16 (254)	\$68	\$63	\$57	\$52	3/4 x 2-3/4 (19.05 - 70)	A
0.2812 (7.142)	22 (559)	\$71	\$65	\$61	\$55	3/4 x 2-3/4 (19.05 - 70)	A
0.2812 (7.142)	28 (711)	\$75	\$72	\$65	\$60	3/4 x 2-3/4 (19.05 - 70)	A
0.2812 (7.142)	36 (914)	\$81	\$75	\$70	\$63	3/4 x 2-3/4 (19.05 - 70)	A
0.2812 (7.142)	48 (1219)	\$93	\$86	\$80	\$72	3/4 x 2-3/4 (19.05 - 70)	A
0.2969 (7.541)	10 (254)	\$65	\$61	\$55	\$52	3/4 x 2-3/4 (19.05 - 70)	A
0.2969 (7.541)	16 (406)	\$65	\$62	\$56	\$54	3/4 x 2-3/4 (19.05 - 70)	A
0.2969 (7.541)	22 (559)	\$70	\$65	\$61	\$55	3/4 x 2-3/4 (19.05 - 70)	A
0.2969 (7.541)	28 (711)	\$75	\$68	\$65	\$59	3/4 x 2-3/4 (19.05 - 70)	A
0.2969 (7.541)	36 (914)	\$80	\$75	\$68	\$63	3/4 x 2-3/4 (19.05 - 70)	A
0.3125 (7.938)	10 (559)	\$68	\$65	\$59	\$52	3/4 x 2-3/4 (19.05 - 70)	A
0.3125 (7.938)	16 (254)	\$70	\$65	\$60	\$55	3/4 x 2-3/4 (19.05 - 70)	A
0.3125 (7.938)	22 (406)	\$73	\$67	\$62	\$55	3/4 x 2-3/4 (19.05 - 70)	A
0.3125 (7.938)	28 (559)	\$77	\$71	\$65	\$60	3/4 x 2-3/4 (19.05 - 70)	A
0.3125 (7.938)	36 (914)	\$82	\$76	\$71	\$63	3/4 x 2-3/4 (19.05 - 70)	A
0.3125 (7.938)	48 (1219)	\$94	\$86	\$80	\$72	3/4 x 2-3/4 (19.05 - 70)	A
0.3150 (8.000)	10 (254)	\$68	\$65	\$59	\$52	3/4 x 2-3/4 (19.05 - 70)	A
0.3150 (8.000)	16 (406)	\$70	\$65	\$60	\$55	3/4 x 2-3/4 (19.05 - 70)	A
0.3150 (8.000)	22 (559)	\$73	\$67	\$62	\$55	3/4 x 2-3/4 (19.05 - 70)	A
0.3150 (8.000)	36 (914)	\$82	\$77	\$70	\$63	3/4 x 2-3/4 (19.05 - 70)	A
0.3281 (8.334)	10 (254)	\$69	\$65	\$59	\$53	3/4 x 2-3/4 (19.05 - 70)	A
0.3281 (8.334)	16 (406)	\$70	\$65	\$61	\$55	3/4 x 2-3/4 (19.05 - 70)	A

Single Flute Gundrill Stock List



Diameter (inches/mm)	Overall (inches/mm)	1-3 Drills	4-5 Drills	6-11 Drills	12-25 Drills	Shank Size (inches/mm)	Shank Type
0.3281 (8.334)	22 (559)	\$75	\$70	\$63	\$57	3/4 x 2-3/4 (19.05 - 70)	A
0.3281 (8.334)	28 (711)	\$78	\$73	\$66	\$60	3/4 x 2-3/4 (19.05 - 70)	A
0.3281 (8.334)	36 (914)	\$82	\$77	\$71	\$63	3/4 x 2-3/4 (19.05 - 70)	A
0.3437 (8.730)	10 (254)	\$70	\$65	\$60	\$55	3/4 x 2-3/4 (19.05 - 70)	A
0.3437 (8.730)	16 (406)	\$72	\$66	\$61	\$55	3/4 x 2-3/4 (19.05 - 70)	A
0.3437 (8.730)	22 (559)	\$75	\$70	\$65	\$57	3/4 x 2-3/4 (19.05 - 70)	A
0.3437 (8.730)	28 (711)	\$79	\$73	\$66	\$60	3/4 x 2-3/4 (19.05 - 70)	A
0.3437 (8.730)	36 (914)	\$83	\$76	\$71	\$62	3/4 x 2-3/4 (19.05 - 70)	A
0.3437 (8.730)	48 (1219)	\$95	\$87	\$81	\$72	3/4 x 2-3/4 (19.05 - 70)	A
0.3543 (9.000)	10 (254)	\$67	\$63	\$59	\$54	3/4 x 2-3/4 (19.05 - 70)	A
0.3543 (9.000)	16 (406)	\$70	\$65	\$61	\$55	3/4 x 2-3/4 (19.05 - 70)	A
0.3543 (9.000)	22 (559)	\$72	\$67	\$62	\$56	3/4 x 2-3/4 (19.05 - 70)	A
0.3594 (9.129)	10 (254)	\$71	\$66	\$62	\$55	3/4 x 2-3/4 (19.05 - 70)	A
0.3594 (9.129)	16 (406)	\$73	\$68	\$63	\$56	3/4 x 2-3/4 (19.05 - 70)	A
0.3594 (9.129)	22 (559)	\$75	\$70	\$65	\$58	3/4 x 2-3/4 (19.05 - 70)	A
0.3594 (9.129)	28 (711)	\$79	\$75	\$67	\$60	3/4 x 2-3/4 (19.05 - 70)	A
0.3594 (9.129)	36 (914)	\$83	\$77	\$71	\$65	3/4 x 2-3/4 (19.05 - 70)	A
0.3750 (9.525)	10 (254)	\$72	\$67	\$62	\$55	3/4 x 2-3/4 (19.05 - 70)	A
0.3750 (9.525)	16 (406)	\$73	\$67	\$63	\$56	3/4 x 2-3/4 (19.05 - 70)	A
0.3750 (9.525)	22 (559)	\$79	\$73	\$66	\$61	3/4 x 2-3/4 (19.05 - 70)	A
0.3750 (9.525)	28 (711)	\$81	\$75	\$67	\$62	3/4 x 2-3/4 (19.05 - 70)	A
0.3750 (9.525)	36 (914)	\$84	\$78	\$71	\$65	3/4 x 2-3/4 (19.05 - 70)	A
0.3750 (9.525)	48 (1219)	\$95	\$89	\$83	\$77	3/4 x 2-3/4 (19.05 - 70)	A
0.3906 (9.921)	10 (254)	\$74	\$69	\$63	\$57	3/4 x 2-3/4 (19.05 - 70)	A
0.3906 (9.921)	16 (406)	\$75	\$70	\$64	\$58	3/4 x 2-3/4 (19.05 - 70)	A
0.3906 (9.921)	22 (559)	\$78	\$73	\$67	\$61	3/4 x 2-3/4 (19.05 - 70)	A
0.3906 (9.921)	28 (711)	\$80	\$75	\$70	\$63	3/4 x 2-3/4 (19.05 - 70)	A
0.3906 (9.921)	36 (914)	\$85	\$79	\$72	\$65	3/4 x 2-3/4 (19.05 - 70)	A
0.3906 (9.921)	48 (1219)	\$72	\$67	\$61	\$55	3/4 x 2-3/4 (19.05 - 70)	A
0.3937 (10.000)	10 (254)	\$73	\$68	\$62	\$56	3/4 x 2-3/4 (19.05 - 70)	A
0.3937 (10.000)	16 (406)	\$75	\$70	\$65	\$57	3/4 x 2-3/4 (19.05 - 70)	A
0.3937 (10.000)	22 (559)	\$79	\$75	\$69	\$61	3/4 x 2-3/4 (19.05 - 70)	A

Diameter (inches/mm)	Overall (inches/mm)	1-3 Drills	4-5 Drills	6-11 Drills	12-25 Drills	Shank Size (inches/mm)	Shank Type
0.3937 (10.000)	28 (711)	\$81	\$77	\$72	\$64	3/4 x 2-3/4 (19.05 - 70)	A
0.3937 (10.000)	36 (914)	\$85	\$79	\$73	\$65	3/4 x 2-3/4 (19.05 - 70)	A
0.3937 (10.000)	48 (1219)	\$96	\$91	\$82	\$75	3/4 x 2-3/4 (19.05 - 70)	A
0.4062 (10.317)	10 (254)	\$73	\$69	\$63	\$56	3/4 x 2-3/4 (19.05 - 70)	A
0.4062 (10.317)	16 (406)	\$75	\$71	\$65	\$57	3/4 x 2-3/4 (19.05 - 70)	A
0.4062 (10.317)	22 (559)	\$79	\$75	\$69	\$61	3/4 x 2-3/4 (19.05 - 70)	A
0.4062 (10.317)	28 (711)	\$81	\$75	\$70	\$62	3/4 x 2-3/4 (19.05 - 70)	A
0.4062 (10.317)	36 (914)	\$85	\$79	\$73	\$65	3/4 x 2-3/4 (19.05 - 70)	A
0.4062 (10.317)	48 (1219)	\$96	\$91	\$82	\$75	3/4 x 2-3/4 (19.05 - 70)	A
0.4375 (11.113)	10 (254)	\$75	\$70	\$63	\$57	3/4 x 2-3/4 (19.05 - 70)	A
0.4375 (11.113)	16 (406)	\$76	\$71	\$65	\$58	3/4 x 2-3/4 (19.05 - 70)	A
0.4375 (11.113)	22 (559)	\$81	\$75	\$69	\$63	3/4 x 2-3/4 (19.05 - 70)	A
0.4375 (11.113)	28 (711)	\$82	\$76	\$71	\$63	3/4 x 2-3/4 (19.05 - 70)	A
0.4375 (11.113)	36 (914)	\$86	\$81	\$75	\$67	3/4 x 2-3/4 (19.05 - 70)	A
0.4375 (11.113)	48 (1219)	\$97	\$92	\$83	\$75	3/4 x 2-3/4 (19.05 - 70)	A
0.4531 (11.509)	10 (254)	\$75	\$70	\$65	\$57	3/4 x 2-3/4 (19.05 - 70)	A
0.4531 (11.509)	16 (406)	\$76	\$72	\$65	\$59	3/4 x 2-3/4 (19.05 - 70)	A
0.4531 (11.509)	22 (559)	\$81	\$75	\$70	\$62	3/4 x 2-3/4 (19.05 - 70)	A
0.4531 (11.509)	28 (711)	\$82	\$77	\$70	\$63	3/4 x 2-3/4 (19.05 - 70)	A
0.4531 (11.509)	36 (914)	\$87	\$82	\$75	\$68	3/4 x 2-3/4 (19.05 - 70)	A
0.4531 (11.509)	48 (1219)	\$97	\$92	\$85	\$75	3/4 x 2-3/4 (19.05 - 70)	A
0.4687 (11.905)	10 (254)	\$72	\$70	\$65	\$57	3/4 x 2-3/4 (19.05 - 70)	A
0.4687 (11.905)	16 (406)	\$75	\$72	\$66	\$59	3/4 x 2-3/4 (19.05 - 70)	A
0.4687 (11.905)	22 (559)	\$82	\$76	\$70	\$62	3/4 x 2-3/4 (19.05 - 70)	A
0.4687 (11.905)	28 (711)	\$84	\$77	\$72	\$65	3/4 x 2-3/4 (19.05 - 70)	A
0.4687 (11.905)	36 (914)	\$87	\$81	\$75	\$67	3/4 x 2-3/4 (19.05 - 70)	A
0.4687 (11.905)	48 (1219)	\$97	\$92	\$85	\$75	3/4 x 2-3/4 (19.05 - 70)	A
0.4844 (12.304)	10 (254)	\$75	\$71	\$65	\$62	3/4 x 2-3/4 (19.05 - 70)	A
0.4844 (12.304)	16 (406)	\$77	\$72	\$66	\$59	3/4 x 2-3/4 (19.05 - 70)	A
0.4844 (12.304)	22 (559)	\$81	\$76	\$70	\$63	3/4 x 2-3/4 (19.05 - 70)	A
0.4844 (12.304)	28 (711)	\$85	\$79	\$72	\$65	3/4 x 2-3/4 (19.05 - 70)	A
0.4844 (12.304)	36 (914)	\$87	\$82	\$75	\$66	3/4 x 2-3/4 (19.05 - 70)	A

Single Flute Gundrill Stock List

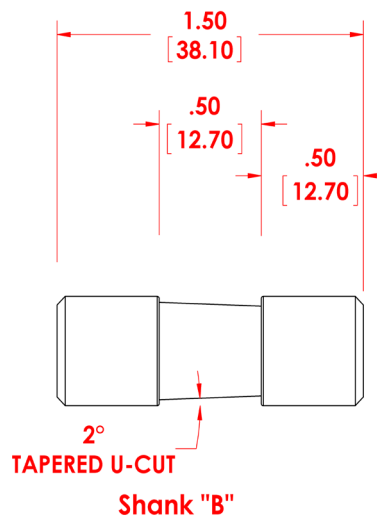
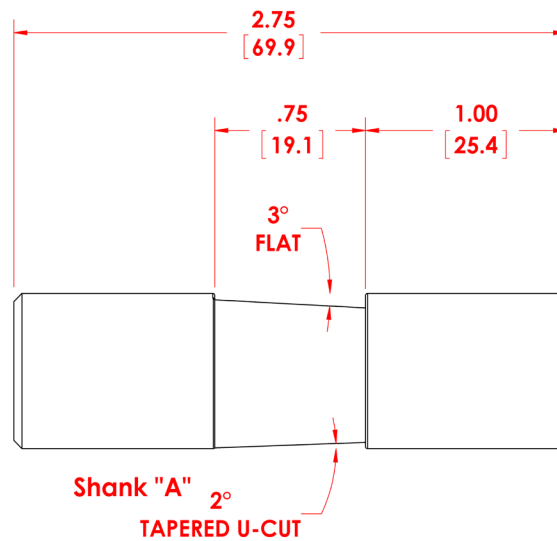


Diameter (inches/mm)	Overall (inches/mm)	1-3 Drills	4-5 Drills	6-11 Drills	12-25 Drills	Shank Size (inches/mm)	Shank Type
0.5000 (12.700)	10 (254)	\$75	\$72	\$65	\$57	3/4 x 2-3/4 (19.05 - 70)	A
0.5000 (12.700)	16 (406)	\$77	\$73	\$67	\$59	3/4 x 2-3/4 (19.05 - 70)	A
0.5000 (12.700)	22 (559)	\$81	\$75	\$70	\$63	3/4 x 2-3/4 (19.05 - 70)	A
0.5000 (12.700)	28 (711)	\$85	\$75	\$70	\$65	3/4 x 2-3/4 (19.05 - 70)	A
0.5000 (12.700)	36 (914)	\$88	\$83	\$76	\$69	3/4 x 2-3/4 (19.05 - 70)	A
0.5000 (12.700)	48 (1219)	\$101	\$93	\$85	\$76	3/4 x 2-3/4 (19.05 - 70)	A
0.5156 (13.096)	16 (406)	\$80	\$75	\$67	\$61	1 x 2-3/4 (25.4 x 70)	A
0.5156 (13.096)	22 (559)	\$82	\$77	\$71	\$63	1 x 2-3/4 (25.4 x 70)	A
0.5156 (13.096)	36 (914)	\$92	\$85	\$77	\$69	1 x 2-3/4 (25.4 x 70)	A
0.5312 (13.492)	16 (406)	\$80	\$75	\$69	\$62	1 x 2-3/4 (25.4 x 70)	A
0.5312 (13.492)	22 (559)	\$83	\$77	\$71	\$65	1 x 2-3/4 (25.4 x 70)	A
0.5312 (13.492)	36 (914)	\$91	\$85	\$77	\$71	1 x 2-3/4 (25.4 x 70)	A
0.5312 (13.492)	48 (1219)	\$103	\$95	\$89	\$79	1 x 2-3/4 (25.4 x 70)	A
0.5469 (13.891)	16 (406)	\$81	\$75	\$71	\$63	1 x 2-3/4 (25.4 x 70)	A
0.5469 (13.891)	22 (559)	\$85	\$80	\$72	\$65	1 x 2-3/4 (25.4 x 70)	A
0.5469 (13.891)	36 (914)	\$92	\$86	\$80	\$71	1 x 2-3/4 (25.4 x 70)	A
0.5625 (14.288)	16 (406)	\$85	\$81	\$75	\$66	1 x 2-3/4 (25.4 x 70)	A
0.5625 (14.288)	22 (559)	\$89	\$84	\$76	\$68	1 x 2-3/4 (25.4 x 70)	A
0.5625 (14.288)	36 (914)	\$97	\$91	\$84	\$75	1 x 2-3/4 (25.4 x 70)	A
0.5625 (14.288)	48 (1219)	\$111	\$105	\$95	\$85	1 x 2-3/4 (25.4 x 70)	A
0.5781 (14.684)	16 (406)	\$92	\$86	\$78	\$71	1 x 2-3/4 (25.4 x 70)	A
0.5781 (14.684)	22 (559)	\$95	\$88	\$81	\$72	1 x 2-3/4 (25.4 x 70)	A
0.5781 (14.684)	36 (914)	\$101	\$95	\$86	\$78	1 x 2-3/4 (25.4 x 70)	A
0.5937 (15.080)	16 (406)	\$93	\$86	\$81	\$71	1 x 2-3/4 (25.4 x 70)	A
0.5937 (15.080)	22 (559)	\$95	\$89	\$81	\$73	1 x 2-3/4 (25.4 x 70)	A
0.5937 (15.080)	36 (914)	\$103	\$95	\$87	\$78	1 x 2-3/4 (25.4 x 70)	A
0.5937 (15.080)	48 (1219)	\$116	\$109	\$100	\$90	1 x 2-3/4 (25.4 x 70)	A
0.6094 (15.479)	16 (406)	\$97	\$91	\$83	\$75	1 x 2-3/4 (25.4 x 70)	A
0.6094 (15.479)	22 (559)	\$101	\$93	\$85	\$77	1 x 2-3/4 (25.4 x 70)	A
0.6094 (15.479)	36 (914)	\$105	\$99	\$92	\$82	1 x 2-3/4 (25.4 x 70)	A
0.6250 (15.875)	16 (406)	\$98	\$92	\$85	\$75	1 x 2-3/4 (25.4 x 70)	A
0.6250 (15.875)	22 (559)	\$101	\$95	\$86	\$77	1 x 2-3/4 (25.4 x 70)	A

Diameter (inches/mm)	Overall (inches/mm)	1-3 Drills	4-5 Drills	6-11 Drills	12-25 Drills	Shank Size (inches/mm)	Shank Type
0.6250 (15.875)	28 (711)	\$105	\$97	\$89	\$80	1 x 2-3/4 (25.4 x 70)	A
0.6250 (15.875)	36 (914)	\$106	\$100	\$92	\$81	1 x 2-3/4 (25.4 x 70)	A
0.6250 (15.875)	48 (1219)	\$121	\$115	\$105	\$95	1 x 2-3/4 (25.4 x 70)	A
0.6406 (16.271)	16 (406)	\$98	\$91	\$85	\$75	1 x 2-3/4 (25.4 x 70)	A
0.6406 (16.271)	22 (559)	\$103	\$95	\$86	\$78	1 x 2-3/4 (25.4 x 70)	A
0.6406 (16.271)	36 (914)	\$107	\$101	\$94	\$83	1 x 2-3/4 (25.4 x 70)	A
0.6562 (16.667)	16 (406)	\$101	\$95	\$85	\$76	1 x 2-3/4 (25.4 x 70)	A
0.6562 (16.667)	22 (559)	\$104	\$96	\$87	\$79	1 x 2-3/4 (25.4 x 70)	A
0.6562 (16.667)	36 (914)	\$109	\$102	\$93	\$85	1 x 2-3/4 (25.4 x 70)	A
0.6719 (17.066)	16 (406)	\$102	\$95	\$86	\$77	1 x 2-3/4 (25.4 x 70)	A
0.6719 (17.066)	22 (559)	\$105	\$97	\$89	\$80	1 x 2-3/4 (25.4 x 70)	A
0.6719 (17.066)	36 (914)	\$110	\$103	\$95	\$85	1 x 2-3/4 (25.4 x 70)	A
0.6875 (17.463)	16 (406)	\$103	\$96	\$87	\$79	1 x 2-3/4 (25.4 x 70)	A
0.6875 (17.463)	22 (559)	\$105	\$98	\$90	\$78	1 x 2-3/4 (25.4 x 70)	A
0.6875 (17.463)	36 (914)	\$111	\$105	\$95	\$85	1 x 2-3/4 (25.4 x 70)	A
0.6875 (17.463)	48 (1219)	\$125	\$117	\$106	\$96	1 x 2-3/4 (25.4 x 70)	A
0.7031 (17.859)	22 (559)	\$105	\$99	\$92	\$82	1 x 2-3/4 (25.4 x 70)	A
0.7031 (17.859)	36 (914)	\$108	\$105	\$95	\$86	1 x 2-3/4 (25.4 x 70)	A
0.7031 (17.859)	48 (1219)	\$126	\$118	\$107	\$97	1 x 2-3/4 (25.4 x 70)	A
0.7187 (18.255)	16 (406)	\$105	\$97	\$89	\$80	1 x 2-3/4 (25.4 x 70)	A
0.7187 (18.255)	22 (559)	\$106	\$100	\$91	\$82	1 x 2-3/4 (25.4 x 70)	A
0.7187 (18.255)	36 (914)	\$111	\$105	\$96	\$86	1 x 2-3/4 (25.4 x 70)	A
0.7344 (18.654)	16 (406)	\$105	\$97	\$90	\$81	1 x 2-3/4 (25.4 x 70)	A
0.7344 (18.654)	22 (559)	\$108	\$101	\$91	\$83	1 x 2-3/4 (25.4 x 70)	A
0.7344 (18.654)	36 (914)	\$111	\$105	\$96	\$86	1 x 2-3/4 (25.4 x 70)	A
0.7500 (19.050)	16 (406)	\$110	\$102	\$95	\$85	1 x 2-3/4 (25.4 x 70)	A
0.7500 (19.050)	22 (559)	\$111	\$105	\$96	\$86	1 x 2-3/4 (25.4 x 70)	A
0.7500 (19.050)	28 (711)	\$114	\$106	\$99	\$88	1 x 2-3/4 (25.4 x 70)	A
0.7500 (19.050)	36 (914)	\$116	\$109	\$100	\$89	1 x 2-3/4 (25.4 x 70)	A
0.7500 (19.050)	48 (1219)	\$128	\$120	\$115	\$105	1 x 2-3/4 (25.4 x 70)	A

Single Flute Gundrill Standard Drivers

NOTE:
Inch
[Metric]



*Pricing Effective February 2015



Star SU LLC
5200 Prairie Stone Parkway,
Suite 100
Hoffman Estates, IL 60192
Tel.: 847 649 1450
Fax: 847 649 0112
e-mail: sales@star-su.com
web: www.star-su.com

Star Cutter Company
Elk Rapids Engineering
210 Industrial Park Drive
Elk Rapids, MI 49629-0728
Tel.: 231 264 5661
Fax: 231 264 5663
e-mail: sales@starcutter.com
web: www.starcutter.com

ISO
9001:2008
REGISTERED