



## Custom Single Flute Gundrills 72 Hour Shipment



Application specific designs.  
72 hour: Design, Build, Ship.  
Technical support available.

Call **877-635-3488** for availability



# Custom Single Flute Gundrills

Diameter (inches/mm)	Overall (inches/mm)	1 Drill	2-3 Drills	4-5 Drills	6-11 Drills	12-25 Drills	Shank Size (inches/mm)	Shank Type
.0920-.1070	5.00-10.00	\$162	\$136	\$127	\$124	\$111	1/2 x 1-1/2	B
2.336-2.717	127.0-254.0						12.7 x 38.1	
.0920-.1070	10.01-16.00	\$170	\$147	\$143	\$133	\$116	1/2 x 1-1/2	B
2.336-2.717	254-406.4						12.7 x 38.1	
.1071-.1149	5.00-10.00	\$147	\$128	\$114	\$111	\$104	1/2 x 1-1/2	B
2.720-.9180	127.0-254.0						12.7 x 38.1	
.1071-.1149	10.01-16.00	\$154	\$132	\$121	\$119	\$107	1/2 x 1-1/2	B
2.720-.9180	254-406.4						12.7 x 38.1	
.1071-.1149	16.01-22.00	\$161	\$137	\$124	\$122	\$111	1/2 x 1-1/2	B
2.720-.9180	406.4-558.8						12.7 x 38.1	
.1150-.1229	5.00-10.00	\$147	\$127	\$115	\$112	\$100	1/2 x 1-1/2	B
2.921-3.121	127-254						12.7 x 38.1	
.1150-.1229	10.01-16.00	\$154	\$132	\$119	\$117	\$106	1/2 x 1-1/2	B
2.921-3.121	254-406.4						12.7 x 38.1	
.1150-.1229	16.01-22.00	\$160	\$137	\$124	\$120	\$109	1/2 x 1-1/2	B
2.921-3.121	406.4-558.8						12.7 x 38.1	
.1230-.1359	6.00-12.00	\$111	\$95	\$90	\$86	\$78	3/4 x 2-3/4	A
3.124-3.451	152.4-304.8						19.05 x 70	
.1230-.1359	12.01-22.00	\$119	\$103	\$94	\$91	\$84	3/4 x 2-3/4	A
3.124-3.451	304.8-558.8						19.05 x 70	
.1230-.1359	22.01-28.00	\$126	\$109	\$106	\$104	\$89	3/4 x 2-3/4	A
3.124-3.451	558.8-711.2						19.05 x 70	
.1230-.1359	28.01-36.00	\$122	\$116	\$105	\$97	\$94	3/4 x 2-3/4	A
3.124-3.541	711.2-914.4						19.05 x 70	
.1360-.1529	6.00-12.00	\$112	\$99	\$88	\$86	\$80	3/4 x 2-3/4	A
3.454-3.883	152.4-304.8						19.05 x 70	
.1360-.1529	12.01-22.00	\$121	\$103	\$95	\$94	\$85	3/4 x 2-3/4	A
3.454-3.883	304.8-558.8						19.05 x 70	
.1360-.1529	22.01-28.00	\$129	\$110	\$102	\$100	\$89	3/4 x 2-3/4	A
3.454-3.883	558.8-711.2						19.05 x 70	
.1530-.1679	6.00-12.00	\$112	\$94	\$88	\$85	\$78	3/4 x 2-3/4	A
3.886-4.264	152.4-304.8						19.05 x 70	
.1530-.1679	12.01-22.00	\$121	\$102	\$95	\$93	\$85	3/4 x 2-3/4	A
3.886-4.264	304.8-558.8						19.05 x 70	
.1530-.1679	22.01-36.00	\$137	\$115	\$108	\$105	\$94	3/4 x 2-3/4	A
3.886-4.264	558.8-914.4						19.05 x 70	
.1530-.1679	36.01-48.00	\$151	\$125	\$115	\$114	\$103	3/4 x 2-3/4	A
3.886-4.264	914.4-1219.2						19.05 x 70	
.1680-.1799	6.00-12.00	\$113	\$95	\$89	\$86	\$81	3/4 x 2-3/4	A
4.267-4.569	152.4-304.8						19.05 x 70	
.1680-.1799	12.01-22.00	\$124	\$105	\$95	\$94	\$85	3/4 x 2-3/4	A
4.267-4.569	304.8-558.8						19.05 x 70	
.1680-.1799	22.01-36.00	\$137	\$115	\$108	\$105	\$94	3/4 x 2-3/4	A
4.267-4.569	558.8-914.4						19.05 x 70	
.1800-.1979	6.00-12.00	\$114	\$95	\$90	\$85	\$78	3/4 x 2-3/4	A
4.572-5.026	152.4-304.8						19.05 x 70	
.1800-.1979	12.01-22.00	\$124	\$105	\$97	\$95	\$87	3/4 x 2-3/4	A
4.572-5.026	304.8-558.5						19.05 x 70	
.1800-.1979	22.01-36.00	\$137	\$115	\$108	\$105	\$95	3/4 x 2-3/4	A
4.572-5.026	558.8-914.4						19.05 x 70	
.1800-.1979	36.01-48.00	\$151	\$126	\$118	\$114	\$104	3/4 x 2-3/4	A
4.572-5.026	914.4-1219.2						19.05 x 70	
.1980-.2129	6.00-12.00	\$117	\$98	\$91	\$89	\$81	3/4 x 2-3/4	A
5.029-5.407	152.4-304.8						19.05 x 70	
.1980-.2129	12.01-22.00	\$124	\$105	\$98	\$94	\$89	3/4 x 2-3/4	A
5.029-5.407	304.8-558.8						19.05 x 70	
.1980-.2129	22.01-36.00	\$141	\$115	\$108	\$105	\$95	3/4 x 2-3/4	A
5.029-5.407	558.8-914.4						19.05 x 70	
.1980-.2129	36.01-48.00	\$152	\$127	\$117	\$114	\$103	3/4 x 2-3/4	A
5.029-5.407	914.4-1219.2						19.05 x 70	
.2130-.2309	6.00-12.00	\$113	\$98	\$90	\$87	\$81	3/4 x 2-3/4	A
5.410-5.864	152.4-304.8						19.05 x 70	

Diameter (inches/mm)	Overall (inches/mm)	1 Drill	2-3 Drills	4-5 Drills	6-11 Drills	12-25 Drills	Shank Size (inches/mm)	Shank Type
.2130-.2309	12.01-22.00	\$123	\$105	\$98	\$95	\$88	3/4 x 2-3/4	A
5.410-5.864	304.8-558.8						19.05 x 70	
.2130-.2309	22.01-36.00	\$138	\$115	\$112	\$105	\$95	3/4 x 2-3/4	A
5.410-5.864	558.8-914.4						19.05 x 70	
.2130-.2309	36.01-48.00	\$150	\$128	\$115	\$112	\$101	3/4 x 2-3/4	A
5.410-5.864	914.4-1219.2						19.05 x 70	
.2130-.2479	6.00-12.00	\$117	\$98	\$91	\$88	\$80	3/4 x 2-3/4	A
5.867-6.296	152.4-304.8						19.05 x 70	
.2130-.2479	12.01-22.00	\$124	\$105	\$98	\$95	\$85	3/4 x 2-3/4	A
5.867-6.296	304.8-558.8						19.05 x 70	
.2130-.2479	22.01-36.00	\$137	\$115	\$105	\$103	\$95	3/4 x 2-3/4	A
5.867-6.296	558.8-914.4						19.05 x 70	
.2310-.2479	36.01-48.00	\$148	\$128	\$115	\$113	\$101	3/4 x 2-3/4	A
5.867-6.296	914.4-1219.2						19.05 x 70	
.2480-.2609	6.00-12.00	\$117	\$100	\$92	\$90	\$82	3/4 x 2-3/4	A
6.299-6.626	152.4-304.8						19.05 x 70	
.2480-.2609	12.01-22.00	\$129	\$108	\$100	\$97	\$87	3/4 x 2-3/4	A
6.299-6.626	304.8-558.8						19.05 x 70	
.2480-.2609	22.01-36.00	\$140	\$115	\$109	\$105	\$95	3/4 x 2-3/4	A
6.299-6.626	558.8-914.4						19.05 x 70	
.2480-.2609	36.01-48.00	\$151	\$129	\$118	\$113	\$104	3/4 x 2-3/4	A
6.299-6.626	914.4-1219.2						19.05 x 70	
.2480-.2609	48.01-64.00	\$166	\$141	\$130	\$126	\$117	3/4 x 2-3/4	A
6.299-6.626	1219.2-1625.6						19.05 x 70	
.2610-.2779	6.00-12.00	\$118	\$99	\$91	\$89	\$82	3/4 x 2-3/4	A
6.629-7.058	152.4-304.8						19.05 x 70	
.2610-.2779	12.01-22.00	\$128	\$109	\$100	\$95	\$87	3/4 x 2-3/4	A
6.629-7.058	304.8-558.8						19.05 x 70	
.2610-.2779	22.01-36.00	\$141	\$117	\$109	\$105	\$95	3/4 x 2-3/4	A
6.629-7.058	558.8-914.4						19.05 x 70	
.2610-.2779	36.01-48.00	\$156	\$132	\$121	\$118	\$107	3/4 x 2-3/4	A
6.629-7.058	914.4-1371.6						19.05 x 70	
.2780-.2879	6.00-12.00	\$117	\$100	\$92	\$90	\$83	3/4 x 2-3/4	A
7.061-7.312	152.4-304.8						19.05 x 70	
.2780-.2879	12.01-22.00	\$129	\$108	\$100	\$97	\$88	3/4 x 2-3/4	A
7.061-7.312	304.8-558.8						19.05 x 70	
.2780-.2879	22.01-36.00	\$141	\$117	\$108	\$105	\$95	3/4 x 2-3/4	A
7.061-7.312	558.8-914.4						19.05 x 70	
.2780-.2879	36.01-48.00	\$151	\$128	\$117	\$110	\$104	3/4 x 2-3/4	A
7.061-7.312	914.4-1219.2						19.05 x 70	
.2880-.3000	6.00-12.00	\$117	\$100	\$92	\$90	\$81	3/4 x 2-3/4	A
7.315-7.620	152.4-304.8						19.05 x 70	
.2880-.3000	12.01-22.00	\$128	\$108	\$99	\$96	\$89	3/4 x 2-3/4	A
7.315-7.620	304.8-558.8						19.05 x 70	
.2880-.3000	22.01-36.00	\$142	\$119	\$111	\$107	\$96	3/4 x 2-3/4	A
7.315-7.620	558.8-914.4						19.05 x 70	
.3001-.3259	6.00-12.00	\$120	\$101	\$93	\$91	\$84	3/4 x 2-3/4	A
7.622-8.277	152.4-304.8						19.05 x 70	
.3001-.3259	12.01-22.00	\$129	\$110	\$101	\$99	\$89	3/4 x 2-3/4	A
7.622-8.277	304.8-558.8						19.05 x 70	
.3001-.3259	22.01-36.00	\$143	\$119	\$111	\$105	\$95	3/4 x 2-3/4	A
7.622-8.277	558.8-914.4						19.05 x 70	
.3001-.3259	36.01-48.00	\$154	\$128	\$120	\$116	\$105	3/4 x 2-3/4	A
7.622-8.277	914.4-1219.2						19.05 x 70	
.3260-.3409	6.00-12.00	\$122	\$104	\$95	\$91	\$85	3/4 x 2-3/4	A
8.280-8.658	152.4-304.8						19.05 x 70	
.3260-.3409	12.01-22.00	\$132	\$111	\$102	\$100	\$90	3/4 x 2-3/4	A
8.280-8.658	304.8-558.8						19.05 x 70	
.3260-.3409	22.01-36.00	\$143	\$119	\$110	\$107	\$99	3/4 x 2-3/4	A
8.280-8.658	558.8-914.4						19.05 x 70	
.3410-.3569	6.00-12.00	\$121	\$102	\$96	\$92	\$85	3/4 x 2-3/4	A
8.661-9.065	152.4-304.8						19.05 x 70	
.3410-.3569	12.01-22.00	\$132	\$110	\$101	\$99	\$90	3/4 x 2-3/4	A
8.661-9.065	304.8-558.8						19.05 x 70	



# Custom Single Flute Gundrills

Diameter (inches/mm)	Overall (inches/mm)	1 Drill	2-3 Drills	4-5 Drills	6-11 Drills	12-25 Drills	Shank Size (inches/mm)	Shank Type
.3410-.3569	22.01-36.00	\$145	\$121	\$113	\$110	\$100	3/4 x 2-3/4	A
8.661-9.065	558.8-914.4						19.05 x 70	
.3410-.3569	36.01-48.00	\$155	\$132	\$121	\$107	\$105	3/4 x 2-3/4	A
8.661-9.065	914.4-1219.2						19.05 x 70	
.3570-.3720	6.00-12.00	\$123	\$104	\$95	\$93	\$85	3/4 x 2-3/4	A
9.067-9.448	152.4-304.8						19.05 x 70	
.3570-.3720	12.01-22.00	\$133	\$110	\$103	\$101	\$90	3/4 x 2-3/4	A
9.067-9.448	304.8-558.8						19.05 x 70	
.3570-.3720	22.01-36.00	\$145	\$121	\$113	\$110	\$98	3/4 x 2-3/4	A
9.067-9.448	558.8-914.4						19.05 x 70	
.3721-.3879	6.00-12.00	\$124	\$105	\$97	\$95	\$85	3/4 x 2-3/4	A
9.451-9.852	152.4-304.8						19.05 x 70	
.3721-.3879	12.01-22.00	\$133	\$112	\$105	\$102	\$91	3/4 x 2-3/4	A
9.451-9.852	304.8-558.8						19.05 x 70	
.3721-.3879	22.01-36.00	\$147	\$123	\$112	\$111	\$102	3/4 x 2-3/4	A
9.451-9.852	558.8-914.4						19.05 x 70	
.3721-.3879	36.01-54.00	\$163	\$137	\$128	\$125	\$111	3/4 x 2-3/4	A
9.451-9.852	914.4-1371.6						19.05 x 70	
.3880-.4093	6.00-12.00	\$124	\$105	\$97	\$95	\$85	3/4 x 2-3/4	A
9.855-10.259	152.4-304.8						19.05 x 70	
.3880-.4093	12.01-22.00	\$134	\$111	\$105	\$101	\$91	3/4 x 2-3/4	A
9.855-10.259	304.8-558.8						19.05 x 70	
.3880-.4093	22.01-36.00	\$147	\$124	\$113	\$110	\$101	3/4 x 2-3/4	A
9.855-10.259	558.8-914.4						19.05 x 70	
.3880-.4093	36.01-48.00	\$153	\$128	\$120	\$115	\$105	3/4 x 2-3/4	A
9.855-10.259	914.4-1219.2						19.05 x 70	
.4040-.4189	6.00-12.00	\$129	\$105	\$99	\$95	\$87	3/4 x 2-3/4	A
10.261-10.64	152.4-304.8						19.05 x 70	
.4040-.4189	12.01-22.00	\$135	\$114	\$105	\$103	\$92	3/4 x 2-3/4	A
10.261-10.64	304.8-558.8						19.05 x 70	
.4040-.4189	22.01-36.00	\$149	\$124	\$115	\$112	\$101	3/4 x 2-3/4	A
10.261-10.64	558.8-914.4						19.05 x 70	
.4040-.4189	36.01-48.00	\$154	\$130	\$120	\$117	\$105	3/4 x 2-3/4	A
10.261-10.64	914.4-1219.2						19.05 x 70	
.4190-.4349	6.00-12.00	\$128	\$105	\$99	\$95	\$87	3/4 x 2-3/4	A
10.642-11.046	152.4-304.8						19.05 x 70	
.4190-.4349	12.01-22.00	\$134	\$113	\$105	\$103	\$92	3/4 x 2-3/4	A
10.642-11.046	304.8-558.8						19.05 x 70	
.4190-.4349	22.01-36.00	\$150	\$125	\$114	\$111	\$102	3/4 x 2-3/4	A
10.642-11.046	558.8-914.4						19.05 x 70	
.4350-.4509	6.00-12.00	\$129	\$106	\$98	\$96	\$88	3/4 x 2-3/4	A
11.049-11.452	152.4-304.8						19.05 x 70	
.4350-.4509	12.01-22.00	\$134	\$113	\$105	\$101	\$92	3/4 x 2-3/4	A
11.049-11.452	304.8-558.8						19.05 x 70	
.4350-.4509	22.01-36.00	\$148	\$125	\$115	\$113	\$101	3/4 x 2-3/4	A
11.049-11.452	558.8-914.4						19.05 x 70	
.4350-.4509	36.01-48.00	\$153	\$128	\$117	\$115	\$105	3/4 x 2-3/4	A
11.049-11.452	914.4-1219.2						19.05 x 70	
.4350-.4509	48.01-64.00	\$164	\$138	\$127	\$124	\$112	3/4 x 2-3/4	A
11.049-11.452	1219.2-1625.6						19.05 x 70	
.4350-.4509	64.01-72.00	\$170	\$143	\$132	\$129	\$117	3/4 x 2-3/4	A
11.049-11.452	1625.6-1828.8						19.05 x 70	
.4510-.4659	6.00-12.00	\$128	\$110	\$101	\$96	\$87	3/4 x 2-3/4	A
11.455-11.833	152.4-304.8						19.05 x 70	
.4510-.4659	12.01-22.00	\$135	\$115	\$105	\$103	\$92	3/4 x 2-3/4	A
11.455-11.833	304.8-558.8						19.05 x 70	
.4510-.4659	22.01-36.00	\$147	\$125	\$114	\$112	\$101	3/4 x 2-3/4	A
11.455-11.833	558.8-914.4						19.05 x 70	
.4510-.4659	36.01-48.00	\$156	\$132	\$121	\$119	\$108	3/4 x 2-3/4	A
11.455-11.833	914.4-1219.2						19.05 x 70	
.4660-.4829	6.00-12.00	\$129	\$110	\$101	\$99	\$89	3/4 x 2-3/4	A
11.836-12.265	152.4-304.8						19.05 x 70	
.4660-.4829	12.01-22.00	\$137	\$113	\$105	\$103	\$92	3/4 x 2-3/4	A
11.836-12.265	304.8-558.8						19.05 x 70	

Diameter (inches/mm)	Overall (inches/mm)	1 Drill	2-3 Drills	4-5 Drills	6-11 Drills	12-25 Drills	Shank Size (inches/mm)	Shank Type
.4660-.4829	22.01-36.00	\$148	\$125	\$115	\$112	\$101	3/4 x 2-3/4	A
11.836-12.265	558.8-914.4						19.05 x 70	
.4660-.4829	36.01-48.00	\$158	\$133	\$122	\$120	\$108	3/4 x 2-3/4	A
11.836-12.265	914.4-1219.2						19.05 x 70	
.4830-.4979	6.00-12.00	\$129	\$110	\$103	\$98	\$88	3/4 x 2-3/4	A
12.268-12.646	152.4-304.8						19.05 x 70	
.4830-.4979	12.01-22.00	\$137	\$116	\$108	\$105	\$95	3/4 x 2-3/4	A
12.268-12.646	304.8-558.8						19.05 x 70	
.4830-.4979	22.01-36.00	\$148	\$125	\$114	\$111	\$101	3/4 x 2-3/4	A
12.268-12.646	558.8-914.4						19.05 x 70	
.4980-.5079	6.00-12.00	\$132	\$110	\$102	\$101	\$90	3/4 x 2-3/4	A
12.649-12.9	152.4-304.8						19.05 x 70	
.4980-.5079	12.01-22.00	\$139	\$116	\$108	\$104	\$95	3/4 x 2-3/4	A
12.649-12.9	304.8-558.8						19.05 x 70	
.4980-.5079	22.01-36.00	\$151	\$129	\$116	\$112	\$101	3/4 x 2-3/4	A
12.649-12.9	558.8-914.4						19.05 x 70	
.4980-.5079	36.01-48.00	\$151	\$129	\$116	\$114	\$103	3/4 x 2-3/4	A
12.649-12.9	914.4-1219.2						19.05 x 70	
.5080-.5239	6.00-16.00	\$133	\$111	\$104	\$102	\$91	1 x 2-3/4	A
12.903-13.307	152.4-406.4						25.40 x 70	
.5080-.5239	16.01-22.00	\$142	\$120	\$110	\$105	\$97	1 x 2-3/4	A
12.903-13.307	406.4-558.8						25.40 x 70	
.5080-.5239	22.01-36.00	\$151	\$129	\$118	\$115	\$104	1 x 2-3/4	A
12.903-13.307	558.8-914.4						25.40 x 70	
.5080-.5239	36.01-48.00	\$155	\$129	\$118	\$115	\$105	1 x 2-3/4	A
12.903-13.307	914.4-1219.2						25.40 x 70	
.5240-.5409	6.00-16.00	\$134	\$111	\$104	\$102	\$91	1 x 2-3/4	A
13.309-13.738	152.4-406.4						25.40 x 70	
.5240-.5409	16.01-22.00	\$141	\$120	\$111	\$108	\$97	1 x 2-3/4	A
13.309-13.738	406.4-558.8						25.40 x 70	
.5240-.5409	22.01-36.00	\$150	\$128	\$117	\$115	\$104	1 x 2-3/4	A
13.309-13.738	558.8-914.4						25.40 x 70	
.5240-.5409	36.01-48.00	\$154	\$130	\$120	\$115	\$105	1 x 2-3/4	A
13.309-13.738	914.4-1219.2						25.40 x 70	
.5410-.5549	6.00-16.00	\$136	\$114	\$106	\$104	\$93	1 x 2-3/4	A
13.741-14.094	152.4-406.4						25.40 x 70	
.5410-.5549	16.01-22.00	\$144	\$122	\$112	\$110	\$98	1 x 2-3/4	A
13.741-14.094	406.4-558.8						25.40 x 70	
.5410-.5549	22.01-36.00	\$157	\$132	\$121	\$117	\$107	1 x 2-3/4	A
13.741-14.094	558.8-914.4						25.40 x 70	
.5550-.5719	6.00-16.00	\$136	\$115	\$108	\$105	\$95	1 x 2-3/4	A
14.097-14.526	152.4-406.4						25.40 x 70	
.5550-.5719	16.01-22.00	\$147	\$122	\$112	\$111	\$101	1 x 2-3/4	A
14.097-14.526	406.4-558.8						25.40 x 70	
.5550-.5719	22.01-36.00	\$158	\$133	\$122	\$120	\$107	1 x 2-3/4	A
14.097-14.526	558.8-914.4						25.40 x 70	
.5550-.5719	36.01-48.00	\$166	\$142	\$133	\$129	\$114	1 x 2-3/4	A
14.097-14.526	914.4-1219.2						25.40 x 70	
.5550-.5719	48.01-64.00	\$229	\$191	\$177	\$172	\$154	1 x 2-3/4	A
14.097-14.526	1219.2-1625.6						25.40 x 70	
.5550-.5719	64.01-72.00	\$239	\$199	\$185	\$179	\$161	1 x 2-3/4	A
14.097-14.526	1625.6-1828.8						25.40 x 70	
.5720-.5919	6.00-16.00	\$141	\$116	\$110	\$105	\$95	1 x 2-3/4	A
14.528-15.034	152.4-406.4						25.40 x 70	
.5720-.5919	16.01-22.00	\$147	\$124	\$112	\$105	\$94	1 x 2-3/4	A
14.528-15.034	406.4-558.8						25.40 x 70	
.5720-.5919	22.01-36.00	\$151	\$133	\$122	\$119	\$109	1 x 2-3/4	A
14.528-15.034	558.8-914.4						25.40 x 70	
.5920-.6039	6.00-16.00	\$141	\$118	\$111	\$109	\$97	1 x 2-3/4	A
15.036-15.339	152.4-406.4						25.40 x 70	
.5920-.6039	16.01-22.00	\$150	\$127	\$117	\$111	\$96	1 x 2-3/4	A
15.036-15.339	406.4-558.8						25.40 x 70	
.5920-.6039	22.01-36.00	\$159	\$135	\$127	\$121	\$108	1 x 2-3/4	A
15.036-15.339	558.8-914.4						25.40 x 70	



# Custom Single Flute Gundrills

Diameter (inches/mm)	Overall (inches/mm)	1 Drill	2-3 Drills	4-5 Drills	6-11 Drills	12-25 Drills	Shank Size (inches/mm)	Shank Type
.5920-.6039	36.01-48.00	\$163	\$142	\$131	\$126	\$117	1 x 2-3/4	A
15.036-15.339	914.4-1219.2						25.40 x 70	
.6040-.6219	6.00-16.00	\$150	\$127	\$115	\$112	\$102	1 x 2-3/4	A
15.341-15.796	152.4-406.4						25.40 x 70	
.6040-.6219	16.01-22.00	\$158	\$135	\$124	\$120	\$109	1 x 2-3/4	A
15.341-15.796	406.4-558.8						25.40 x 70	
.6040-.6219	22.01-36.00	\$166	\$144	\$133	\$130	\$116	1 x 2-3/4	A
15.341-15.796	558.8-914.4						25.40 x 70	
.6220-.6359	6.00-16.00	\$151	\$127	\$117	\$115	\$103	1 x 2-3/4	A
15.798-16.151	152.4-406.4						25.40 x 70	
.6220-.6359	16.01-22.00	\$162	\$134	\$124	\$122	\$105	1 x 2-3/4	A
15.798-16.151	406.4-558.8						25.40 x 70	
.6220-.6359	22.01-36.00	\$171	\$145	\$135	\$131	\$115	1 x 2-3/4	A
15.798-16.151	558.8-914.4						25.40 x 70	
.6220-.6359	36.01-48.00	\$184	\$155	\$144	\$139	\$127	1 x 2-3/4	A
15.798-16.151	914.4-1219.2						25.40 x 70	
.6360-.6499	6.00-16.00	\$148	\$124	\$114	\$111	\$101	1 x 2-3/4	A
16.154-16.507	152.4-406.4						25.40 x 70	
.6360-.6499	16.01-22.00	\$156	\$132	\$120	\$117	\$105	1 x 2-3/4	A
16.154-16.507	406.4-558.8						25.40 x 70	
.6360-.6499	22.01-36.00	\$166	\$141	\$129	\$124	\$113	1 x 2-3/4	A
16.154-16.507	558.8-914.4						25.40 x 70	
.6500-.6699	6.00-16.00	\$148	\$126	\$115	\$112	\$101	1 x 2-3/4	A
16.51-17.015	152.4-406.4						25.40 x 70	
.6500-.6699	16.01-22.00	\$157	\$132	\$121	\$118	\$108	1 x 2-3/4	A
16.51-17.015	406.4-558.8						25.40 x 70	
.6500-.6699	22.01-36.00	\$171	\$143	\$132	\$130	\$116	1 x 2-3/4	A
16.51-17.015	558.8-914.4						25.40 x 70	
.6700-.6859	6.00-16.00	\$151	\$127	\$116	\$114	\$102	1 x 2-3/4	A
17.018-17.421	152.4-406.4						25.40 x 70	
.6700-.6859	16.01-22.00	\$158	\$133	\$122	\$121	\$108	1 x 2-3/4	A
17.018-17.421	406.4-558.8						25.40 x 70	
.6700-.6859	22.01-36.00	\$167	\$145	\$133	\$131	\$116	1 x 2-3/4	A
17.018-17.421	558.8-914.4						25.40 x 70	
.6700-.6859	36.01-48.00	\$180	\$151	\$141	\$136	\$122	1 x 2-3/4	A
17.018-17.421	914.4-1219.2						25.40 x 70	
.6860-.6999	6.00-16.00	\$151	\$128	\$118	\$114	\$103	1 x 2-3/4	A
17.424-17.777	152.4-406.4						25.40 x 70	
.6860-.6999	16.01-22.00	\$160	\$134	\$124	\$122	\$110	1 x 2-3/4	A
17.424-17.777	406.4-558.8						25.40 x 70	
.6860-.6999	22.01-36.00	\$174	\$146	\$135	\$133	\$118	1 x 2-3/4	A
17.424-17.777	558.8-914.4						25.40 x 70	
.6860-.6999	36.01-48.00	\$181	\$152	\$141	\$138	\$124	1 x 2-3/4	A
17.424-17.777	914.4-1219.2						25.40 x 70	
.7000-.7149	6.00-16.00	\$158	\$135	\$125	\$121	\$108	1 x 2-3/4	A
17.78-18.158	152.4-406.4						25.40 x 70	
.7000-.7149	16.01-22.00	\$168	\$143	\$133	\$129	\$115	1 x 2-3/4	A
17.78-18.158	406.4-558.8						25.40 x 70	
.7000-.7149	22.01-36.00	\$181	\$155	\$143	\$139	\$125	1 x 2-3/4	A
17.78-18.158	558.8-914.4						25.40 x 70	
.7000-.7149	36.01-48.00	\$194	\$162	\$149	\$145	\$130	1 x 2-3/4	A
17.78-18.158	914.4-1219.2						25.40 x 70	
.7150-.7309	6.00-16.00	\$162	\$136	\$127	\$124	\$111	1 x 2-3/4	A
18.161-18.564	152.4-406.4						25.40 x 70	
.7150-.7309	16.01-22.00	\$165	\$145	\$134	\$131	\$115	1 x 2-3/4	A
18.161-18.564	406.4-558.8						25.40 x 70	
.7150-.7309	22.01-36.00	\$185	\$156	\$144	\$141	\$128	1 x 2-3/4	A
18.161-18.564	558.8-914.4						25.40 x 70	
.7310-.7459	6.00-16.00	\$165	\$138	\$127	\$125	\$111	1 x 2-3/4	A
18.567-18.945	152.4-406.4						25.40 x 70	
.7310-.7459	16.01-22.00	\$172	\$145	\$135	\$131	\$117	1 x 2-3/4	A
18.567-18.945	406.4-558.8						25.40 x 70	
.7310-.7459	22.01-36.00	\$191	\$157	\$145	\$141	\$127	1 x 2-3/4	A
18.567-18.945	558.8-914.4						25.40 x 70	

Diameter (inches/mm)	Overall (inches/mm)	1 Drill	2-3 Drills	4-5 Drills	6-11 Drills	12-25 Drills	Shank Size (inches/mm)	Shank Type
.7460-.7609	6.00-16.00	\$165	\$138	\$128	\$126	\$111	1 x 2-3/4	A
18.948-19.326	152.4-406.4						25.40 x 70	
.7460-.7609	16.01-22.00	\$175	\$145	\$135	\$130	\$119	1 x 2-3/4	A
18.948-19.326	406.4-558.8						25.40 x 70	
.7460-.7609	22.01-36.00	\$189	\$158	\$145	\$141	\$127	1 x 2-3/4	A
18.948-19.326	558.8-914.4						25.40 x 70	
.7460-.7609	36.01-48.00	\$195	\$165	\$151	\$147	\$132	1 x 2-3/4	A
18.948-19.326	914.4-1219.2						25.40 x 70	
.7460-.7609	48.01-64.00	\$258	\$216	\$199	\$194	\$174	1 x 2-3/4	A
18.948-19.326	1219.2-1625.6						25.40 x 70	
.7460-.7609	64.01-72.00	\$266	\$223	\$206	\$200	\$180	1 x 2-3/4	A
18.948-19.326	1625.6-1828.8						25.40 x 70	
.7610-.7799	8.00-22.00	\$182	\$155	\$137	\$135	\$121	1-1/4 x 2-3/4	A
19.329-19.809	203.2-558.8						31.75 x 70	
.7610-.7799	22.01-36.00	\$195	\$165	\$150	\$147	\$133	1-1/4 x 2-3/4	A
19.329-19.809	558.8-914.4						31.75 x 70	
.7610-.7799	36.01-48.00	\$231	\$198	\$189	\$185	\$165	1-1/4 x 2-3/4	A
19.329-19.809	914.4-1219.2						31.75 x 70	
.7800-.7949	8.00-22.00	\$161	\$143	\$134	\$131	\$117	1-1/4 x 2-3/4	A
19.812-20.19	203.2-558.8						31.75 x 70	
.7800-.7949	22.01-36.00	\$171	\$154	\$144	\$139	\$127	1-1/4 x 2-3/4	A
19.812-20.19	558.8-914.4						31.75 x 70	
.7800-.7949	36.01-48.00	\$231	\$195	\$179	\$174	\$156	1-1/4 x 2-3/4	A
19.812-20.19	914.4-1219.2						31.75 x 70	
.7950-.8089	8.00-22.00	\$178	\$150	\$140	\$135	\$121	1-1/4 x 2-3/4	A
20.193-20.546	203.2-558.8						31.75 x 70	
.7950-.8089	22.01-36.00	\$192	\$161	\$149	\$145	\$132	1-1/4 x 2-3/4	A
20.193-20.546	558.8-914.4						31.75 x 70	
.8090-.8259	8.00-22.00	\$180	\$152	\$140	\$137	\$123	1-1/4 x 2-3/4	A
20.548-20.977	203.2-558.8						31.75 x 70	
.8090-.8259	22.01-36.00	\$195	\$164	\$150	\$147	\$133	1-1/4 x 2-3/4	A
20.548-20.977	558.8-914.4						31.75 x 70	
.8090-.8259	36.01-48.00	\$209	\$176	\$163	\$158	\$142	1-1/4 x 2-3/4	A
20.548-20.977	914.4-1219.2						31.75 x 70	
.8260-.8409	8.00-22.00	\$192	\$161	\$149	\$145	\$127	1-1/4 x 2-3/4	A
20.98-21.358	203.2-558.8						31.75 x 70	
.8260-.8409	22.01-36.00	\$201	\$169	\$157	\$153	\$139	1-1/4 x 2-3/4	A
20.98-21.358	558.8-914.4						31.75 x 70	
.8410-.8569	8.00-22.00	\$185	\$155	\$145	\$140	\$127	1-1/4 x 2-3/4	A
21.361-21.765	203.2-558.8						31.75 x 70	
.8410-.8569	22.01-36.00	\$197	\$167	\$155	\$151	\$135	1-1/4 x 2-3/4	A
21.361-21.765	558.8-914.4						31.75 x 70	
.8570-.8729	8.00-22.00	\$201	\$165	\$155	\$148	\$135	1-1/4 x 2-3/4	A
21.767-22.171	203.2-558.8						31.75 x 70	
.8570-.8729	22.01-36.00	\$212	\$177	\$163	\$157	\$145	1-1/4 x 2-3/4	A
21.767-22.171	558.8-914.4						31.75 x 70	
.8570-.8729	36.01-48.00	\$235	\$201	\$185	\$177	\$160	1-1/4 x 2-3/4	A
21.767-22.171	914.4-1219.2						31.75 x 70	
.8730-.8879	8.00-22.00	\$201	\$165	\$157	\$155	\$137	1-1/4 x 2-3/4	A
22.174-22.552	203.2-558.8						31.75 x 70	
.8730-.8879	22.01-36.00	\$215	\$185	\$165	\$161	\$146	1-1/4 x 2-3/4	A
22.174-22.552	558.8-914.4						31.75 x 70	
.8730-.8879	36.01-48.00	\$240	\$201	\$185	\$180	\$165	1-1/4 x 2-3/4	A
22.174-22.552	914.4-1219.2						31.75 x 70	
.8880-.8959	8.00-22.00	\$202	\$171	\$156	\$155	\$138	1-1/4 x 2-3/4	A
22.555-22.755	203.2-558.8						31.75 x 70	
.8880-.8959	22.01-36.00	\$217	\$179	\$165	\$163	\$145	1-1/4 x 2-3/4	A
22.555-22.755	558.8-914.4						31.75 x 70	
.8960-.9189	8.00-22.00	\$214	\$180	\$166	\$161	\$145	1-1/4 x 2-3/4	A
22.758-23.34	203.2-558.8						31.75 x 70	
.8960-.9189	22.01-36.00	\$225	\$191	\$175	\$168	\$155	1-1/4 x 2-3/4	A
22.758-23.34	558.8-914.4						31.75 x 70	
.9190-.9329	8.00-22.00	\$216	\$181	\$170	\$165	\$146	1-1/4 x 2-3/4	A
23.342-23.695	203.2-558.8						31.75 x 70	

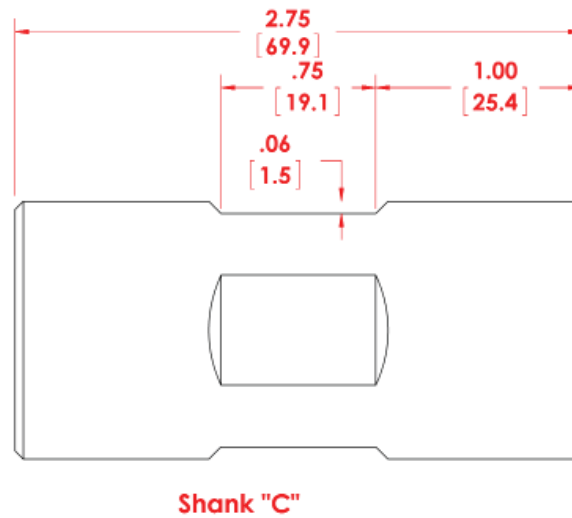
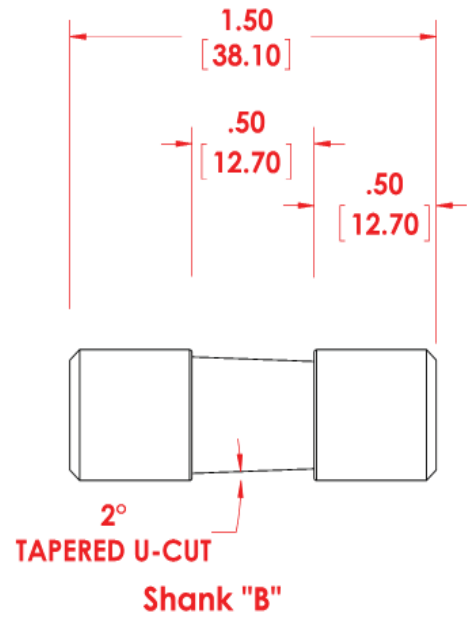
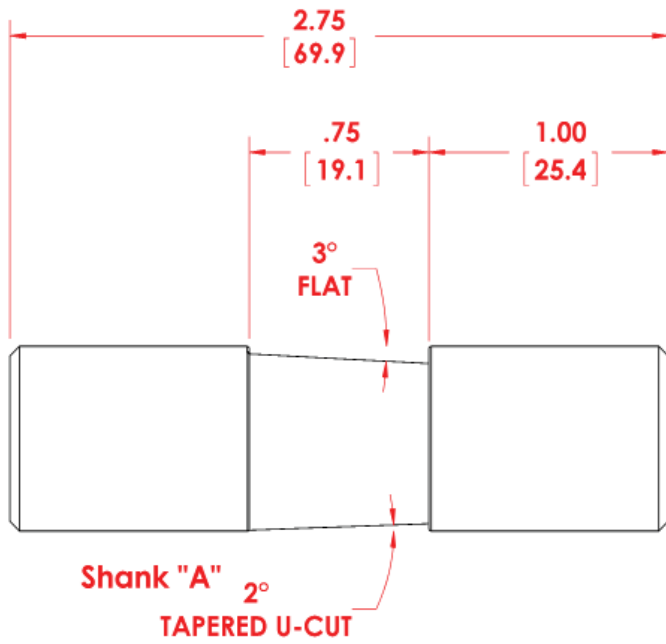


# Custom Single Flute Gundrills

Diameter (inches/mm)	Overall (inches/mm)	1 Drill	2-3 Drills	4-5 Drills	6-11 Drills	12-25 Drills	Shank Size (inches/mm)	Shank Type
.9190-9329 23.342-23.695	22.01-36.00 558.8-914.4	\$228	\$195	\$177	\$175	\$157	1-1/4 x 2-3/4 31.75 x 70	A
.9190-9329 23.342-23.695	36.01-48.00 914.4-1219.2	\$278	\$236	\$215	\$210	\$193	1-1/4 x 2-3/4 31.75 x 70	A
.9190-9329 23.342-23.695	48.01-64.00 1219.2-1625.6	\$371	\$309	\$285	\$279	\$230	1-1/4 x 2-3/4 31.75 x 70	A
.9190-9329 23.342-23.695	64.01-72.00 1625.6-1828.8	\$385	\$321	\$296	\$289	\$259	1-1/4 x 2-3/4 31.75 x 70	A
.9330-9509 23.698-24.152	8.00-22.00 203.2-558.8	\$212	\$177	\$164	\$160	\$145	1-1/4 x 2-3/4 31.75 x 70	A
.9330-9509 23.698-24.152	22.01-36.00 558.8-914.4	\$228	\$191	\$176	\$167	\$155	1-1/4 x 2-3/4 31.75 x 70	A
.9330-9509 23.698-24.152	36.01-48.00 914.4-1219.2	\$275	\$230	\$213	\$207	\$186	1-1/4 x 2-3/4 31.75 x 70	A
.9510-9619 24.155-24.432	8.00-22.00 203.2-558.8	\$226	\$190	\$175	\$167	\$155	1-1/4 x 2-3/4 31.75 x 70	A
.9510-9619 24.155-24.432	22.01-36.00 558.8-914.4	\$240	\$203	\$189	\$185	\$165	1-1/4 x 2-3/4 31.75 x 70	A
.9620-9819 24.434-24.94	8.00-22.00 203.2-558.8	\$233	\$195	\$188	\$175	\$155	1-1/4 x 2-3/4 31.75 x 70	A
.9620-9819 24.434-24.94	22.01-36.00 558.8-914.4	\$246	\$201	\$188	\$182	\$161	1-1/4 x 2-3/4 31.75 x 70	A
.9820-9979 24.942-25.346	8.00-22.00 203.2-558.8	\$228	\$195	\$180	\$175	\$157	1-1/4 x 2-3/4 31.75 x 70	A
.9820-9979 24.942-25.346	22.01-36.00 558.8-914.4	\$241	\$202	\$187	\$181	\$165	1-1/4 x 2-3/4 31.75 x 70	A
.9980-1.0579 25.349-1.47	8.00-22.00 203.2-558.8	\$237	\$197	\$182	\$177	\$160	1-1/4 x 2-3/4 31.75 x 70	A
.9980-1.0579 25.349-1.47	22.01-36.00 558.8-914.4	\$247	\$205	\$195	\$187	\$167	1-1/4 x 2-3/4 31.75 x 70	A
.9980-1.0579 25.349-1.47	36.01-48.00 914.4-1219.2	\$280	\$231	\$215	\$205	\$187	1-1/4 x 2-3/4 31.75 x 70	A
1.0580-1.0999 26.873-27.937	8.00-22.00 203.2-558.8	\$275	\$231	\$210	\$206	\$185	1-1/2 x 2-3/4 31.75 x 70	C
1.0580-1.0999 26.873-27.937	22.01-36.00 558.8-914.4	\$300	\$251	\$231	\$221	\$201	1-1/2 x 2-3/4 31.75 x 70	C
1.0580-1.0999 26.873-27.937	36.01-48.00 914.4-1219.2	\$326	\$271	\$254	\$247	\$221	1-1/2 x 2-3/4 31.75 x 70	C
1.1000-1.1729 27.94-29.791	8.00-22.00 203.2-558.8	\$292	\$251	\$227	\$221	\$198	1-3/4 x 2-3/4 31.75 x 70	C
1.1000-1.1729 27.94-29.791	22.01-36.00 558.8-914.4	\$310	\$257	\$236	\$230	\$205	1-3/4 x 2-3/4 31.75 x 70	C
1.1000-1.1729 27.94-29.791	36.01-48.00 914.4-1219.2	\$314	\$268	\$251	\$241	\$215	1-3/4 x 2-3/4 31.75 x 70	C
1.1730-1.2239 29.794-31.087	8.00-22.00 203.2-558.8	\$321	\$270	\$251	\$247	\$219	1-3/4 x 2-3/4 31.75 x 70	C
1.1730-1.2239 29.794-31.087	22.01-36.00 558.8-914.4	\$338	\$285	\$264	\$257	\$227	1-3/4 x 2-3/4 31.75 x 70	C
1.1730-1.2239 29.794-31.087	36.01-48.00 914.4-1219.2	\$388	\$325	\$297	\$287	\$259	1-3/4 x 2-3/4 31.75 x 70	C
1.2240-1.2769 31.089-32.433	8.00-22.00 203.2-558.8	\$365	\$305	\$281	\$275	\$245	1-3/4 x 2-3/4 31.75 x 70	C
1.2240-1.2769 31.089-32.433	22.01-36.00 558.8-914.4	\$377	\$315	\$293	\$285	\$257	1-3/4 x 2-3/4 31.75 x 70	C
1.2240-1.2769 31.089-32.433	36.01-48.00 914.4-1219.2	\$395	\$332	\$305	\$295	\$265	1-3/4 x 2-3/4 31.75 x 70	C
1.2770-1.3689 32.435-34.77	8.00-22.00 203.2-558.8	\$396	\$331	\$306	\$298	\$267	2 x 2-3/4 50.80 x 70	C
1.2770-1.3689 32.435-34.77	22.01-36.00 558.8-914.4	\$426	\$356	\$326	\$321	\$287	2 x 2-3/4 50.80 x 70	C
1.2770-1.3689 32.435-34.77	36.01-48.00 914.4-1219.2	\$447	\$376	\$346	\$337	\$309	2 x 2-3/4 50.80 x 70	C
1.3690-1.4949 34.772-37.97	8.00-22.00 203.2-558.8	\$441	\$370	\$338	\$331	\$295	2 x 2-3/4 50.80 x 70	C

Diameter (inches/mm)	Overall (inches/mm)	1 Drill	2-3 Drills	4-5 Drills	6-11 Drills	12-25 Drills	Shank Size (inches/mm)	Shank Type
1.3690-1.4949 34.772-37.97	22.01-36.00 558.8-914.4	\$475	\$395	\$365	\$355	\$315	2 x 2-3/4 50.80 x 70	C
1.3690-1.4949 34.772-37.97	36.01-48.00 914.4-1219.2	\$492	\$412	\$384	\$375	\$335	2 x 2-3/4 50.80 x 70	C
1.4950-1.5080 37.973-38.303	8.00-22.00 203.2-558.8	\$483	\$402	\$372	\$362	\$324	2 x 2-3/4 50.80 x 70	C
1.4950-1.5080 37.973-38.303	22.01-36.00 558.8-914.4	\$513	\$428	\$394	\$385	\$344	2 x 2-3/4 50.80 x 70	C
1.4950-1.5080 37.973-38.303	36.01-48.00 914.4-1219.2	\$537	\$448	\$414	\$403	\$360	2 x 2-3/4 50.80 x 70	C

# Single Flute Gundrill Standard Drivers



**NOTE:**  
Inch  
[ Metric ]



**Star SU LLC**  
5200 Prairie Stone Parkway,  
Suite 100  
Hoffman Estates, IL 60192  
Tel.: 847 649 1450  
Fax: 847 649 0112  
e-mail: sales@star-su.com  
web: www.star-su.com

**Star Cutter Company**  
23461 Industrial Park Drive  
Farmington Hills, MI 48335  
Tel.: 248 474 8200  
Fax: 248 474 9518  
e-mail: sales@starcutter.com  
web: www.starcutter.com

